

This document was generated by me, Colin Hinson, from a document held at R.A.F. Henlow Signals Museum and is believed to be out of copyright or Crown Copyright . It is presented here (for free) under the Open Government Licence (O.G.L.) if under Crown Copyright and this version of the document is my copyright (along with the Crown Copyright) in much the same way as a photograph would be. If you believe the document to be under copyright, please contact me.

The document should have been downloaded from my website <https://blunham.com/Radar>, if you downloaded it from elsewhere, please let me know (particularly if you were charged for it). You can contact me via my Genuki email page:

<https://www.genuki.org.uk/big/eng/YKS/various?recipient=colin>

You may not copy the file for onward transmission of the data nor attempt to make monetary gain by the use of these files. If you want someone else to have a copy of the file, point them at the website. It should be noted that most of the pages are identifiable as having been processed by me.

I would strongly recommend that you download the file and read it with Adobe Acrobat as the bookmarks are enabled which allows you both to see what is in the file and to jump to the relevant part with a single click.

I put a lot of time into producing this file which is why you are met with the above when you open the file.

In order to generate this file, I need to:

1. Scan the pages (Epson 15000 A3 scanner)
2. Process pages one at a time to make them reasonably presentable
3. Generate an Acrobat pdf file.

Hopefully after all that, I end up with a presentable file. If you find missing pages, pages in the wrong order, anything else wrong with the file or simply want to make a comment, please drop me a line (see above).

It is my hope that you find the file of use to you personally – I know that I would have liked to have found some of these files years ago – they would have saved me a lot of time !

Colin Hinson

In the village of Blunham, Bedfordshire.

DISPLAY UNIT TYPE 5.GENERAL DESCRIPTION.

D.U.5 is a universal display unit which is the culmination of all other ground radar (search) displays. Circuits are arranged for operation with :-

C.H.L. G.C.L. A.M.E.S. Type 11, Type 13, Type 14, without addition of further units.

This universal application is made possible by the use of a monitor receiver, located close to the aerial system, normally in the aerial vehicle cabin. The monitor receiver receives signals at the particular radar transmitter frequency, and converts them to an R.F. of 45 Mc/s, irrespective of the transmitter frequency. This 45 Mc/s output is then fed through co-axial cable to the D.U.5.

BASIC CONSOLES.

Displays consist of :-

- (1) Signal channel with detector, video amplifiers, signal limiters, anti-jamming circuits. Signals fed to C.R.T. grid or "Y" plates to give either "brilliance" or "amplitude" modulation.
- (2) Synchronising circuits, brilliance, time-base, and calibration circuits.
- (3) Power units.

SALIENT FEATURES.

Designed for convoy use as well as fixed stations.

All units accessible from the front. (Vehicle space limited).

Temperature control and air conditioning.

Easy meter and 'scope facilities.

Main valves limited to three types.

Power supplies stabilised and regulated.

Servicing made easy by facility that all units can be withdrawn with power on.

APPLICATION OF D.U.5.

Most important one is the Type 21 Convoy. This consists of :-

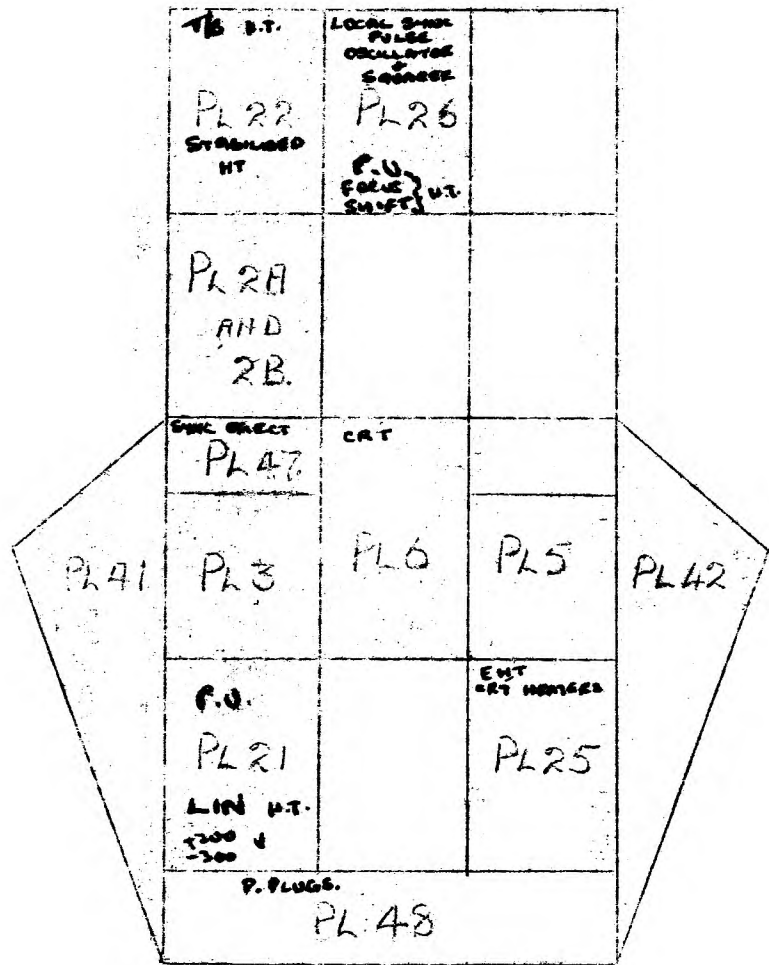
- (1) Transmitter Type 13. (T.R.3561 or N.T.277).
This transmitter feeds into a vertical "cheese" aerial, which "nods" through an angle of 26 degrees. The returning echoes are displayed on Console 15 from which the operator reads height and range.
- (2) Transmitter Type 14. (T.R.3561 or N.T.277).
A similar transmitter to one mentioned above but feeding into a horizontal "cheese" aerial, capable of being rotated through 360 degrees.
Returning echoes displayed as a P.P.I. on Console Type 16.
- (3) Operations Vehicle.
Usually houses two Consoles Type 16 and one Type 15,
One Console Type 16 together with the Type 15, used to provide complete "raid" reporting information. (i.e. range, bearing and height).
The other Type 16 is used to report all signals displayed to a main control centre.
The Type 14 transmitter with its aerial rotates continuously.
The Type 13 transmitter is rotated as required to point in the direction of the target. The aerial is kept "nodding" continuously at a speed of 6 times per minute.

D.U. 5

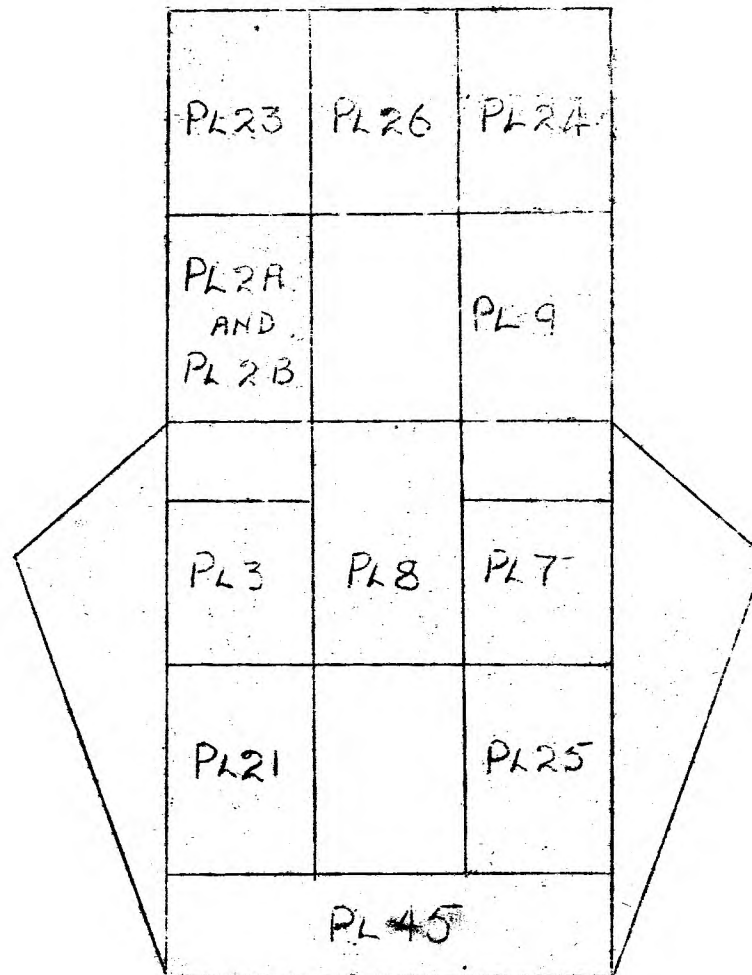
NOTES

585573 S/A ARNOLD, J.
CLASS 68A.

PANEL LAY-OUT CONSOLE 15 AND 16

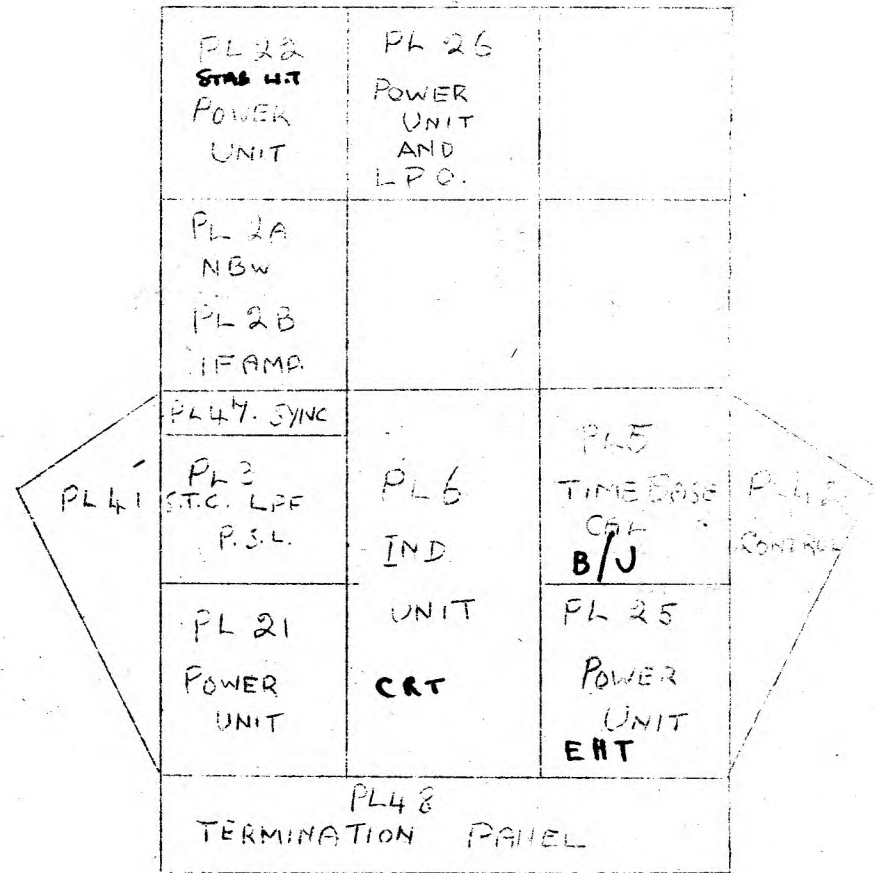
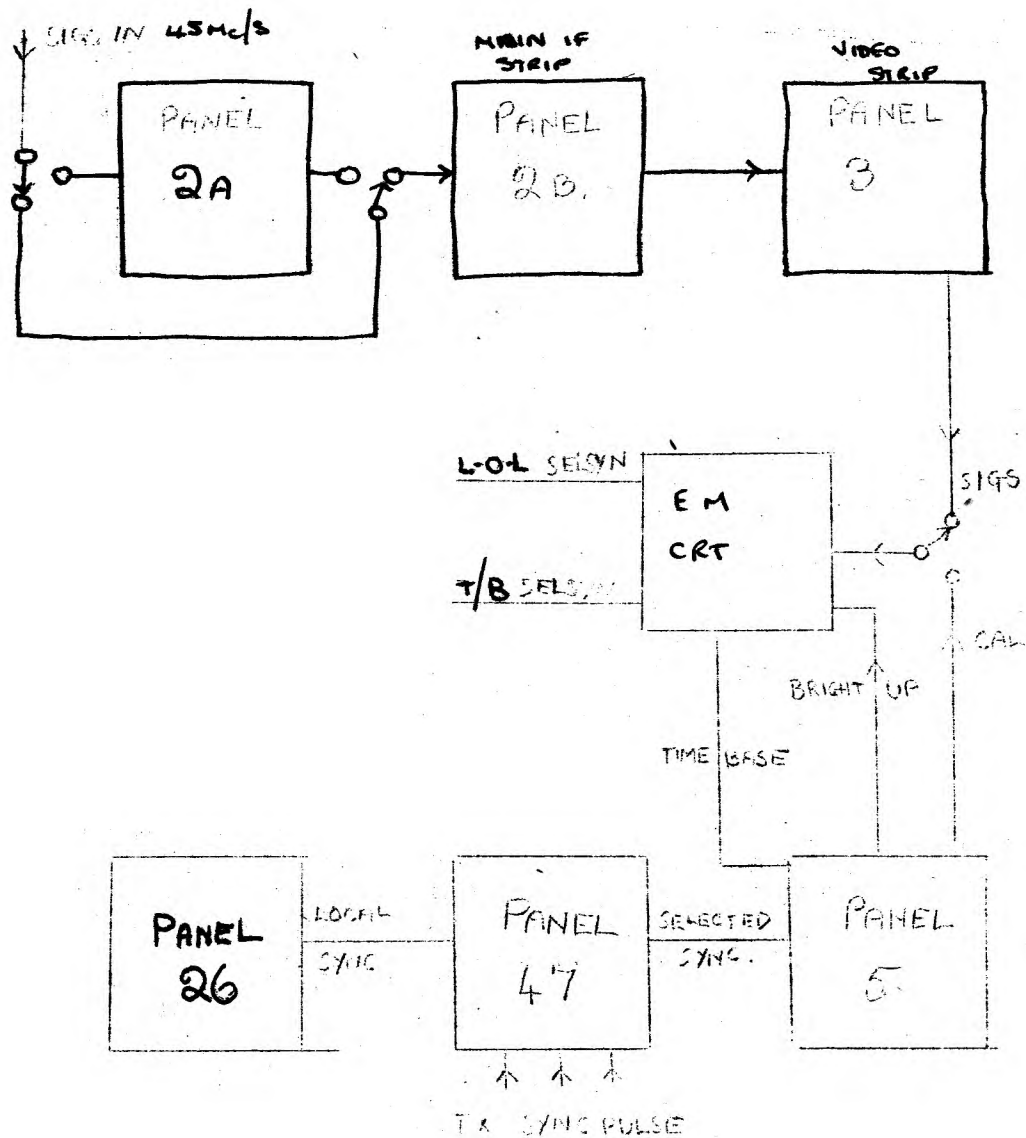


CONSOLE 16



CONSOLE 15

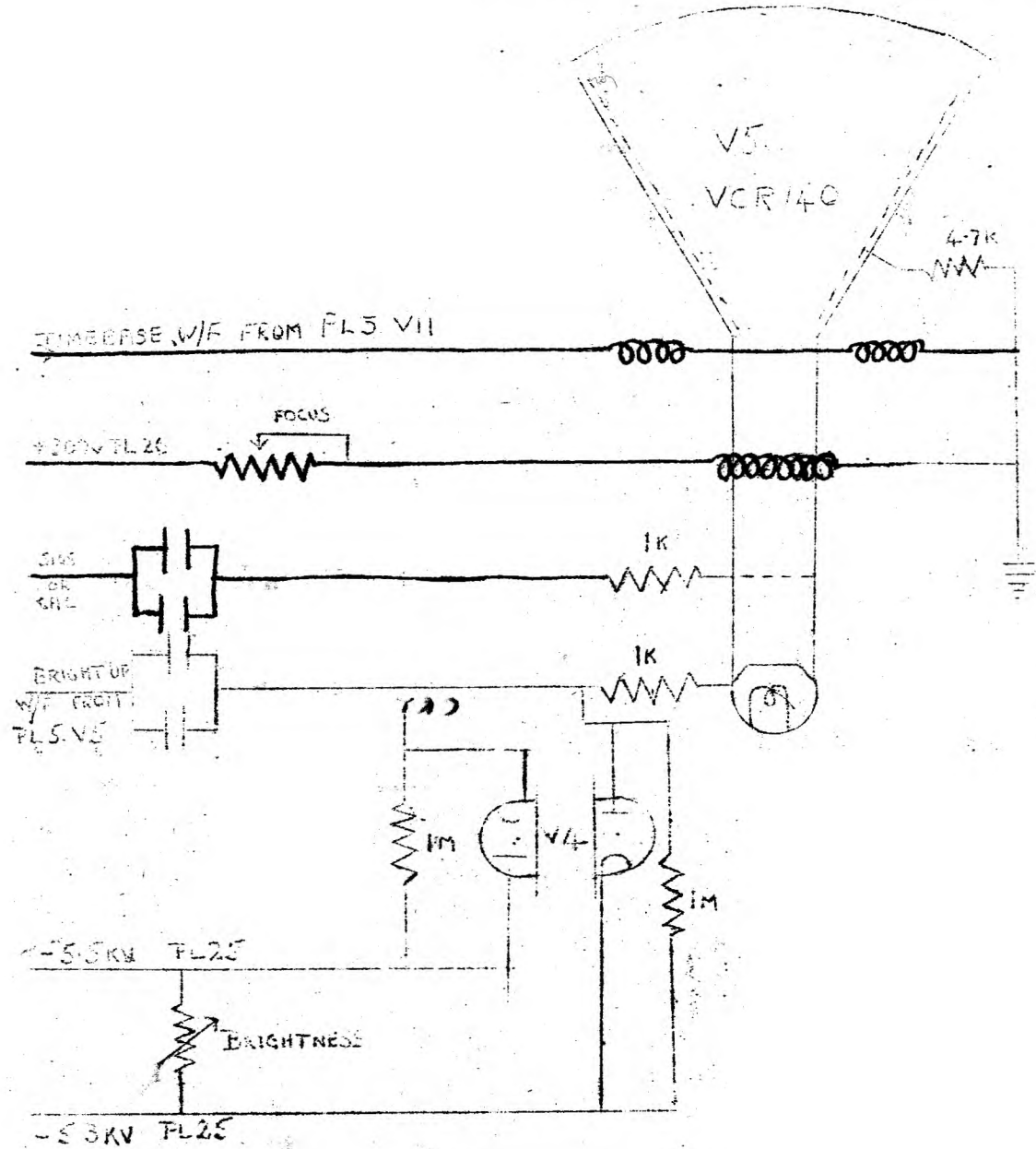
CONSOLE TYPE 16



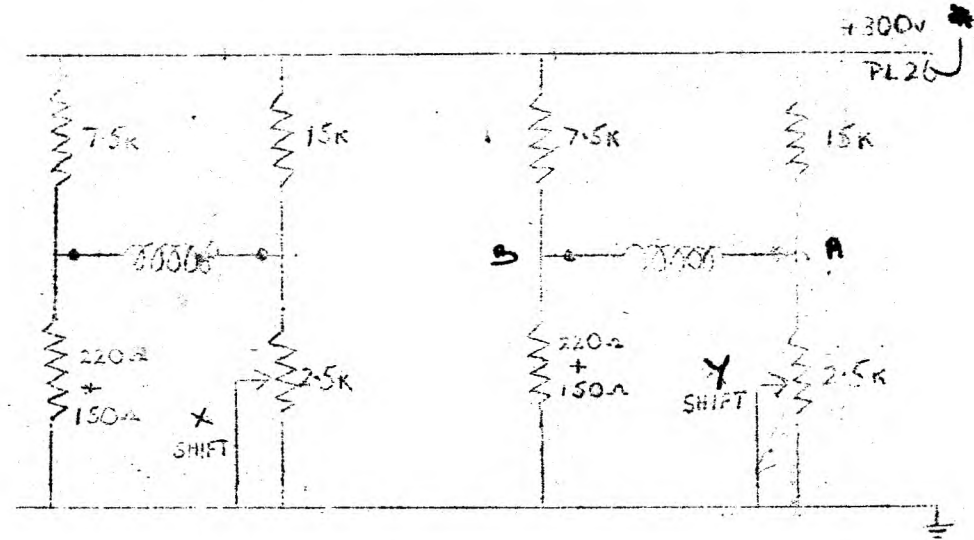
BLOCK DIAGRAM

D05

THE C.R.T. CIRCUIT SHOWING VOLTAGES, INPUTS, FOCUS AND SHIFT

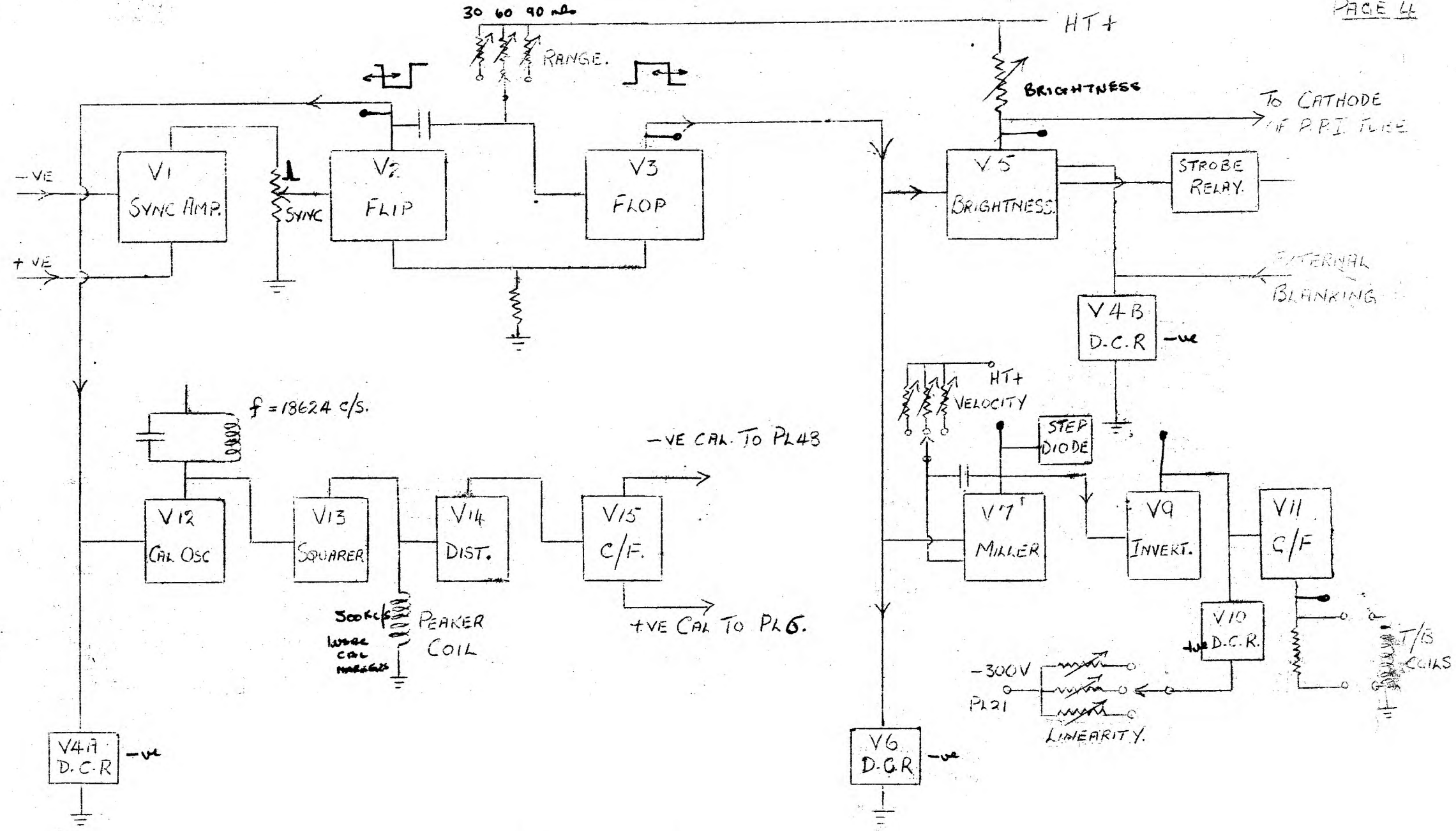


THE SHIFT NETWORK



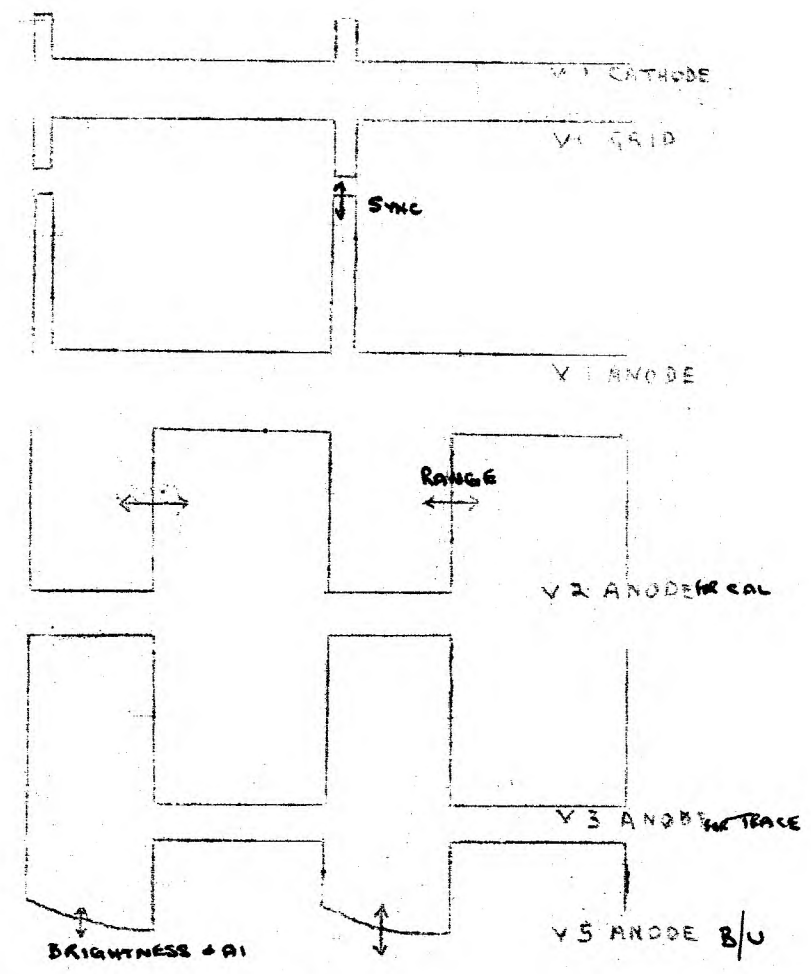
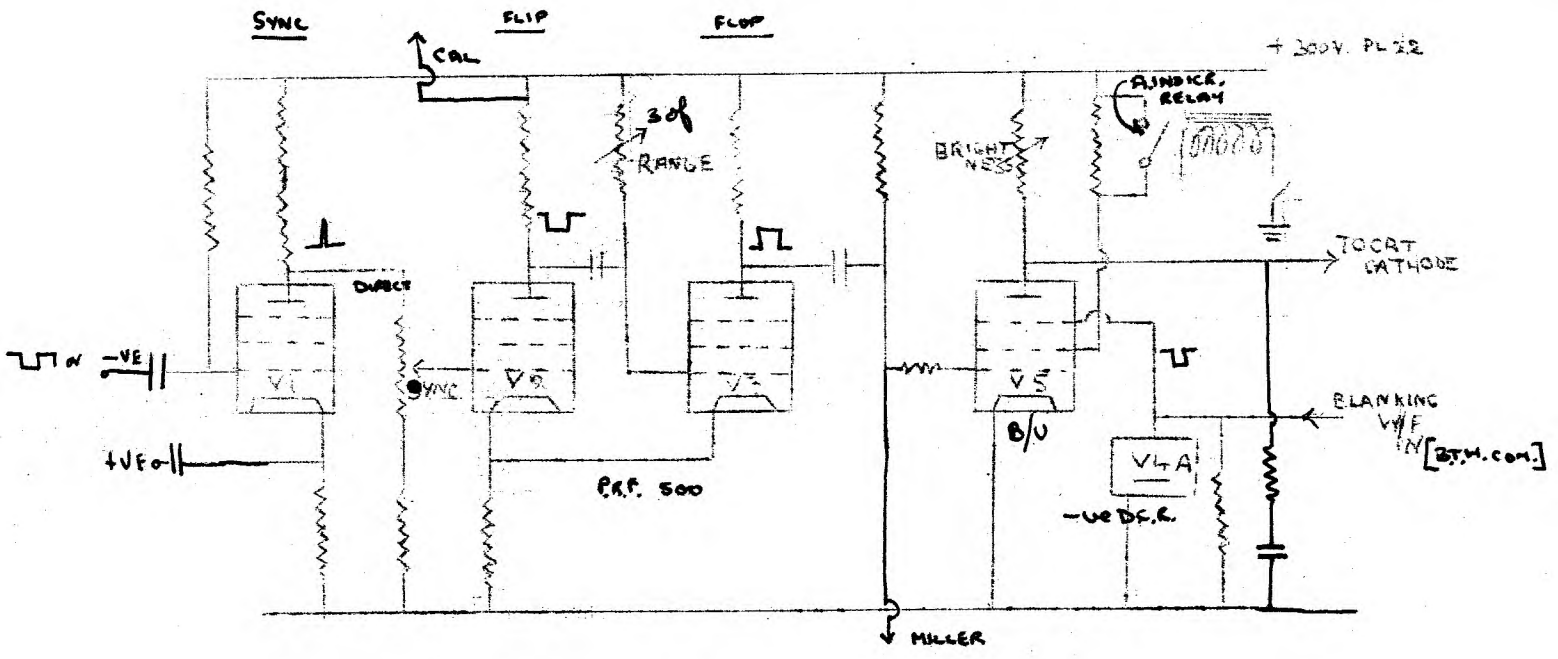
Shift is obtained by varying the P.D. across the shift coils, and hence the current through them. It gives approx. 4 - 5 cms off centre in one direction and 1 cm in the other. If it is impossible to centre the spot, current through the coils may be reversed by reversing coil connections. This is done by altering the links at the back of the turning mechanism.

5



BLOCK SCHEMATIC - PL5.

PL5 SYNC AND BRIGHTNESS SECTIONS



- Sync input by Pye plug to Pl48 or from L.P.O. in Pl 26.
 Sync selector switch on Pl47 selects one of four :-

- (1) L.P.O.
- (2) Type 11 -ve sync.
- (3) Type 13 +ve sync.
- (4) Type 14 +ve sync.

The amplitude of sync inputs vary so the sync control is necessary to standardise flip-flop triggering.

V1 The Sync Valve. enables the time-base to lock on either +ve or -ve incoming triggering pulse. The sync control is adjusted so that V1 output is just sufficient to cut V2 on.

V2&3 Flip-Flop width of square wave adjustable by "Range" control which varies the leakaway time of the charge on the coupling condenser.

V4 -ve D.C.R. for blanking pulse from turning gear to V5 suppressor grid.

V5 Brightness Input from V3.
 Output from the anode of V5 (-ve square wave) is fed to the cathode of the C.R.T. for bright-up during forward trace and black-out during flyback time.
 The distortion of square wave due to C.R. from V5 anode to earth ensures trace is same brilliance along its length.

SYNC AMP

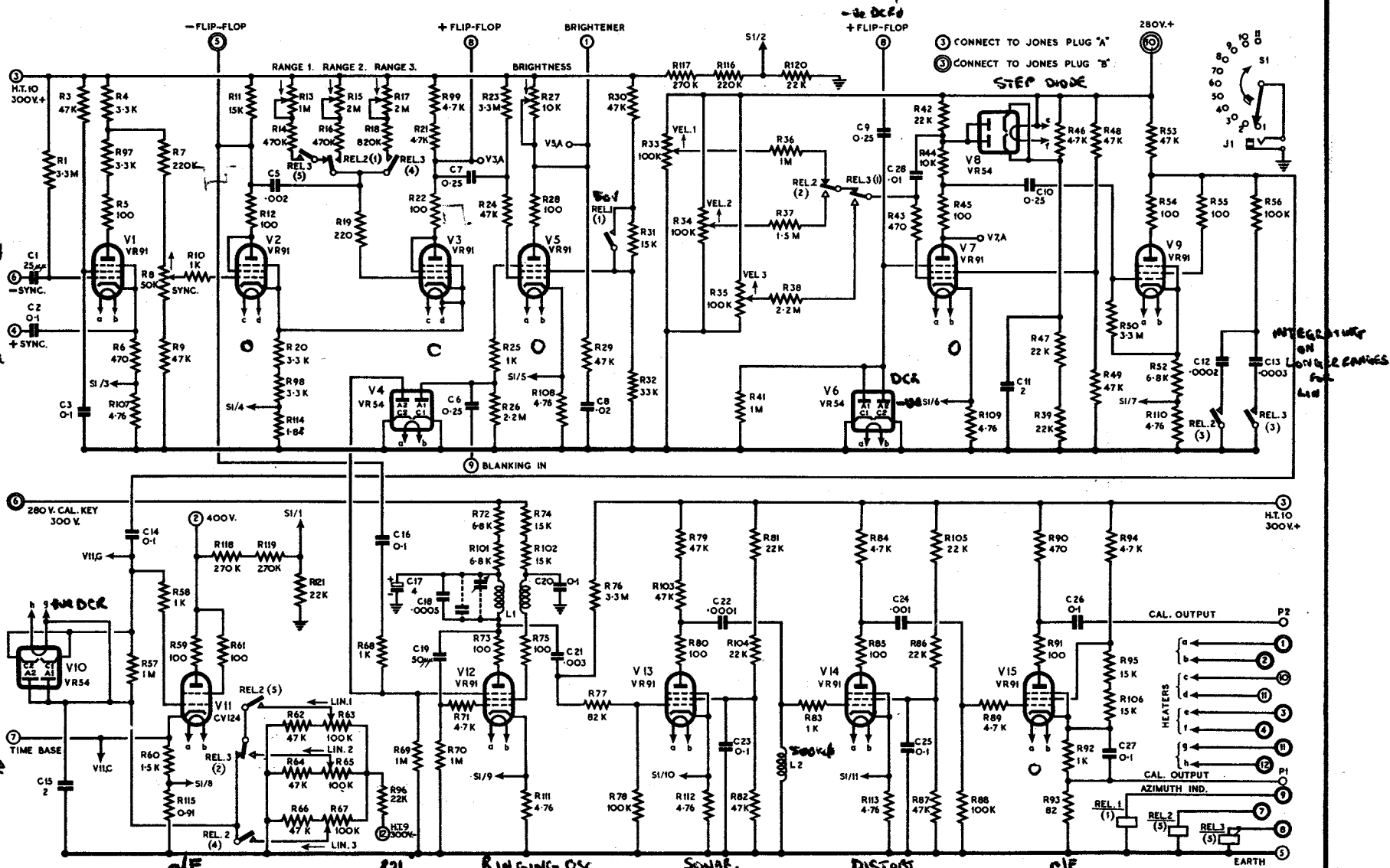
FLIP

FLOP

BRIGHTNER

MILLER

AMP. IN.



DISPLAY UNIT TYPE 5

Time Base Unit Type 38

FOR FURTHER INFORMATION
SEE A.P. 2897 A

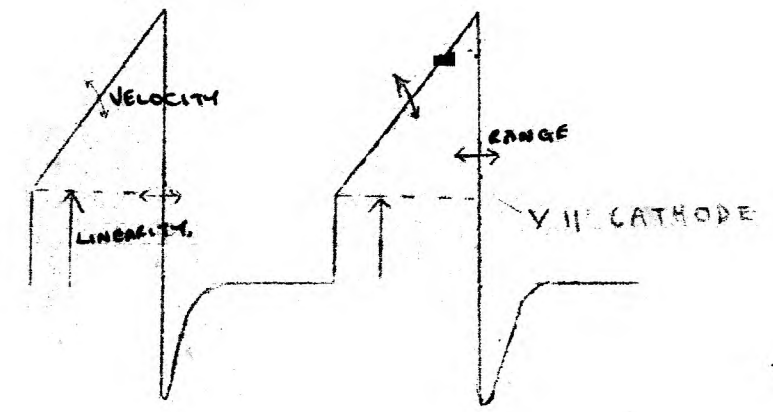
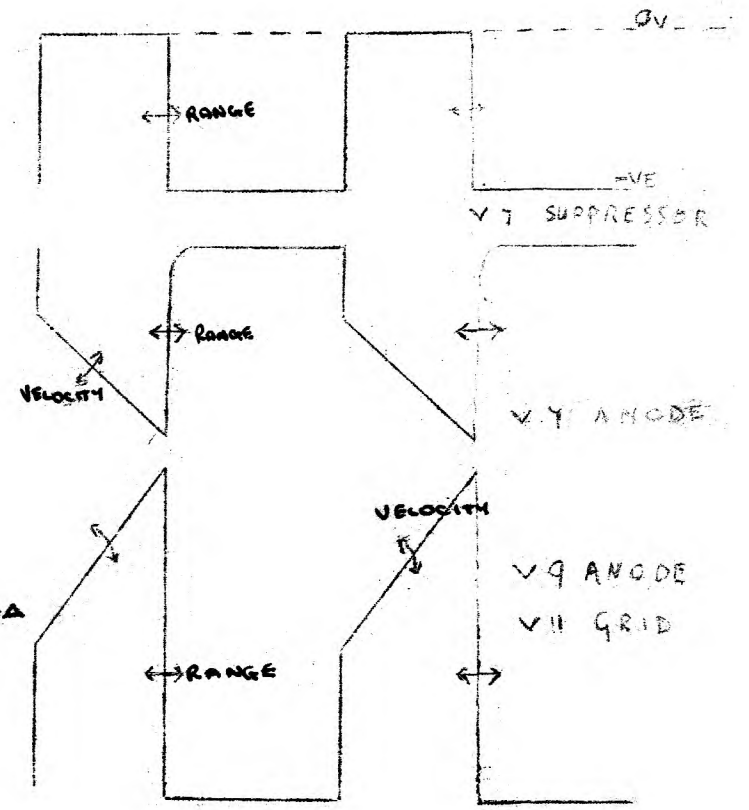
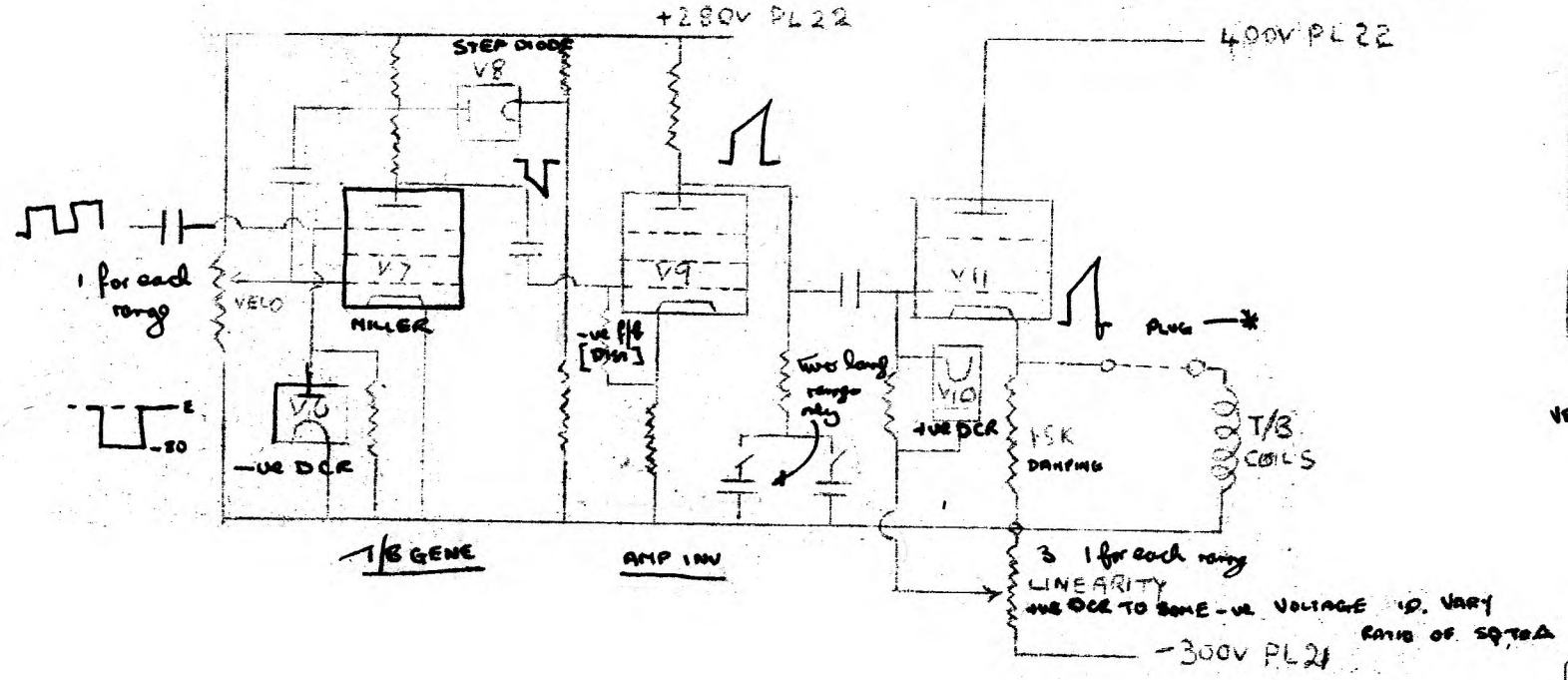
RESTRICTED
 PREPARED BY THE
 MINISTRY OF SUPPLY
 FOR PROPAGATION BY
 AIR INDUSTRY
 ISSUE 1 (2 SHEETS - SHEET 1. MAR. 1949)

AIR DIAGRAM
4370 / MIN

A.L. No.	
DATE	
INITIALS	

DU 5

PL 5 TIME BASE SECTION



V6 -ve DCR (6CV1054 - Anodes strapped). DC restores to earth, the square wave output from flop (V3) which is applied to suppressor grid of V7 (Miller valve).

V7 Miller. The time-base valve. Velocity control varies the leak away time of the Miller condenser, thus varying the slope of the output W/F.

V8 STEP DIODE. Increases the step in the Miller W/F, producing a pedestal W/F.

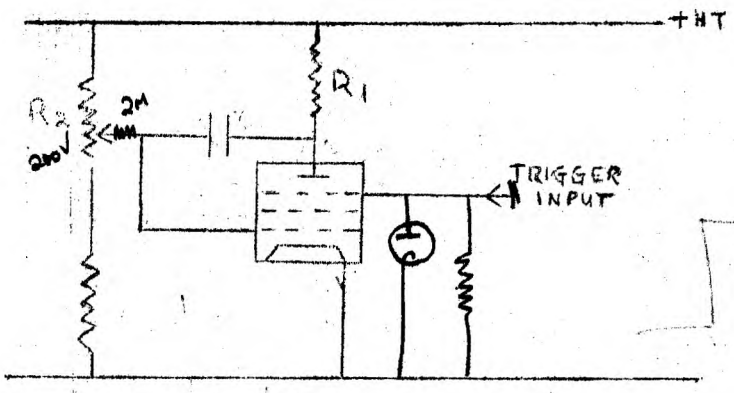
V9 Inverter. Amplifies and inverts the output from V7. To reduce distortion a large percentage of negative feed-back is employed. On ranges 2 & 3, integrating circuits are switched in across the output of V9, which have the effect of altering the shape of the output W/F to improve the linearity on these ranges.

V10 -ve DCR. Positively DC restores the pedestal W/F from V9 anode, to -300V.

V11 Time-base output Cathode Follower. Used to match into time-base coils. The time-base coils form the cathode load of the valve.

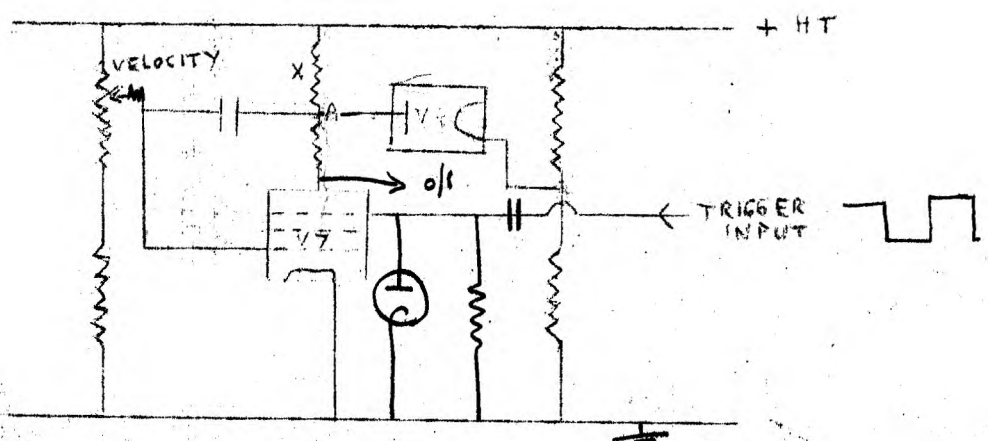
THE BASIC MILLER

V
C
G1



Before the action commences I_a is cut-off at the suppressor. Screen current is flowing. Control grid held at zero potential by grid current. Condenser C is charged to 300V. Suppressor grid bias is removed and suppressor potential rises to cathode potential. I_a flows, V_a falls carrying grid down with it. When V_g approaches cut-off this rapid fall is checked. I_g has ceased and C now discharges through R2, the valve and R1. As C discharges bringing V_g up, the I_a is increasing so that V_a is falling at the same time. This makes the discharge of C almost linear and therefore V_a falls linearly. When the suppressor bias is re-applied, C assumes its original charge (Charged by I_g).

STEP DIODE



Purpose of "Step Diode" - To increase the step on the Miller W/F.
Action. In the static condition, I_a of V7 is cut-off at the suppressor. V8 cathode is held at 250V positive, by a bleeder network across HT so that V8 anode is positive to its cathode. Current flows through resistor X. When V7 is cut on V_a falls, voltage at A falls tending to cut off V8, but as diode I through X is decreasing V7 anode current can increase by the same amount, without any appreciable change of potential at A. Since grid of V7 is connected to A, no change of potential has taken place at V7G, although V7A will have fallen considerably, producing a large step. Eventually V8 will cease to conduct and potential at A will fall by a further amount equal to grid base of V7, increasing step still further before the Miller run-down occurs.

D.U.5

ACTION OF LINEARITY

DIAGRAM A

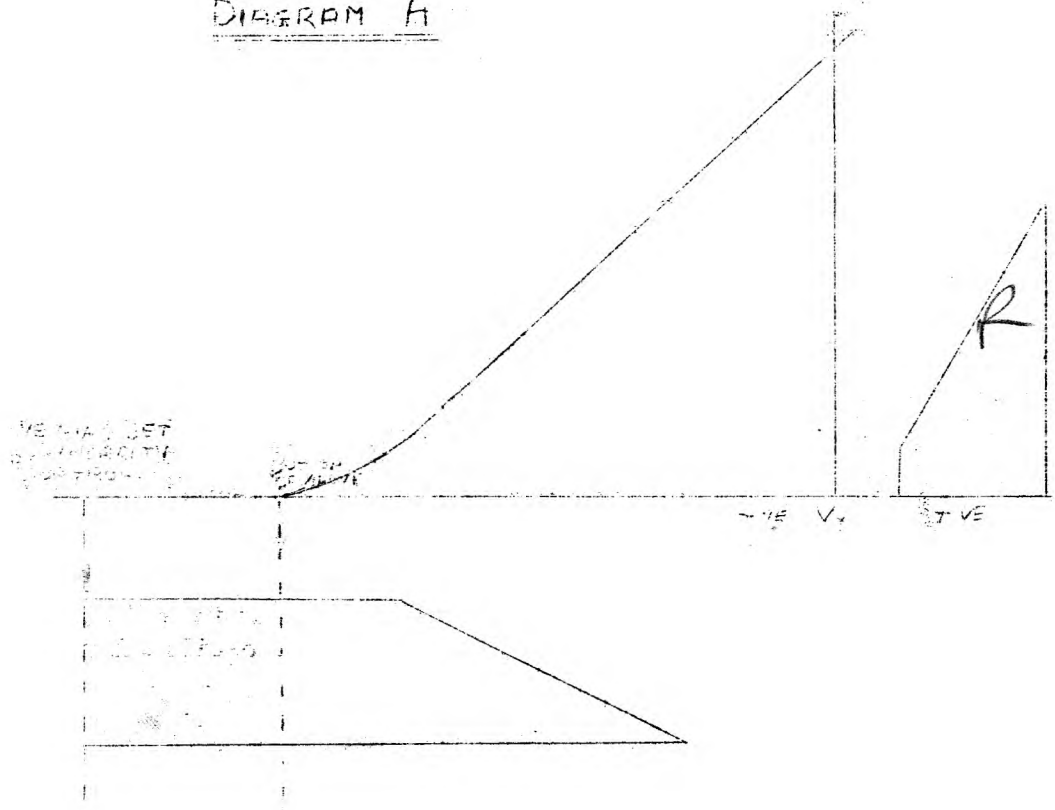
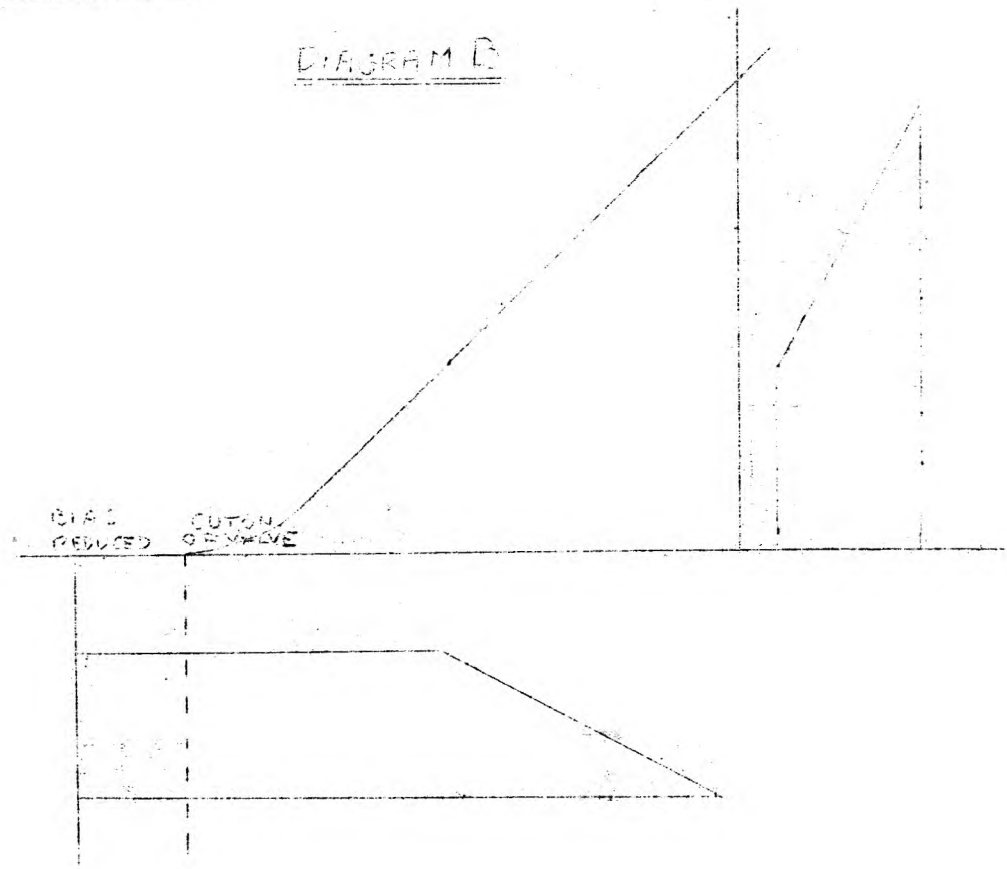


DIAGRAM B



In diagram A position is that V11 is biased well beyond cut-off, the value of the standing bias applied being dependent upon the setting of the Linearity Control. The potential across the control (-300V) is obtained from PL21. The output from V9 is positively D.C. restored from the bias level by V10 and is large enough to overcome the bias. But only a portion of the square wave component of the input V/F is reproduced at the cathode of V11.

With bias reduced, it can be seen from Diagram B that the ratio of square wave to saw-tooth reproduced at V11 cathode has increased. Therefore it can be seen, that by altering the Linearity Control (i.e. varying the bias to V11) the ratio of square wave to saw-tooth is varied in the pedestal wave-form produced at the cathode of V11.

CALIBRATION CIRCUIT PL 5
OSCILLATOR V 12

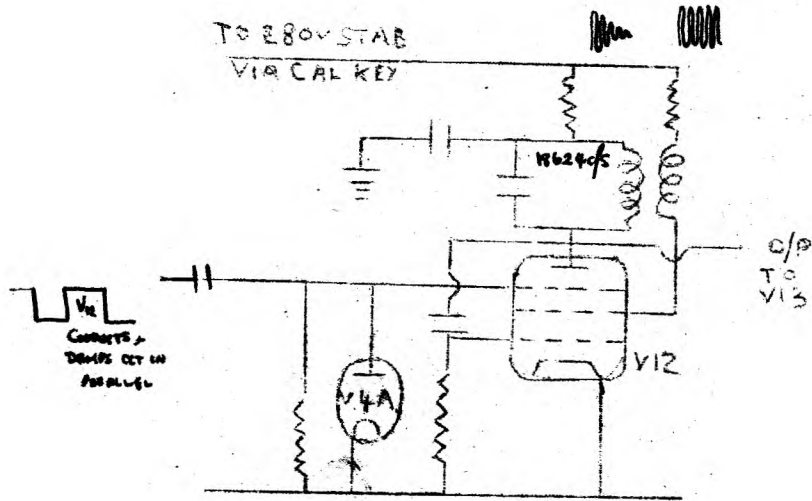


FIG 1

ACTION

The -ve square wave from the flip (V2) is applied to the suppressor of V12. It is D.C. restored negatively, so that the Ia of V12 is cut-off for the duration of the trace and cut-on during the period of flyback. During the fly-back period the circuit is not oscillating since feedback is in the wrong phase.

When the -ve square wave cuts off Ia the circuit is effectively as shown in Figs. 2 & 3. Is suddenly increases, Ia collapses. Tuned ckt. in the anode commences to oscillate at 18624 c/. The screen now acts as the anode, the coil in the screen ckt. providing feedback in the correct phase to maintain oscillations.

When Ia is cut on, the rising current causes the phase of feed-back to be reversed, which quickly damps out the oscillations.

FIG 2.

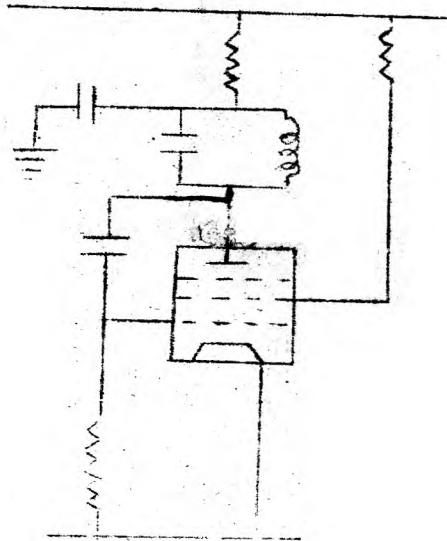
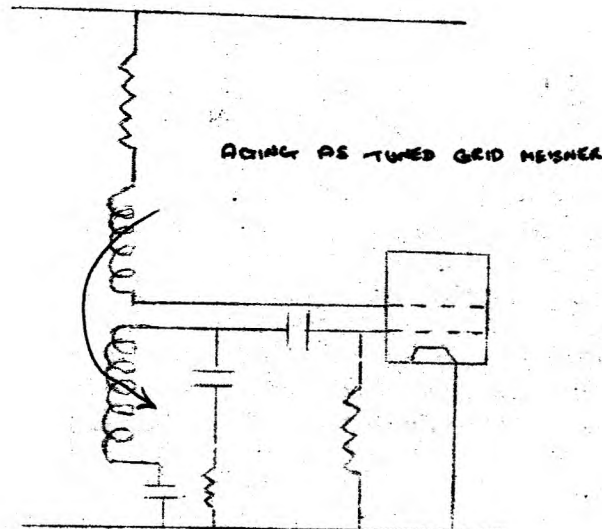
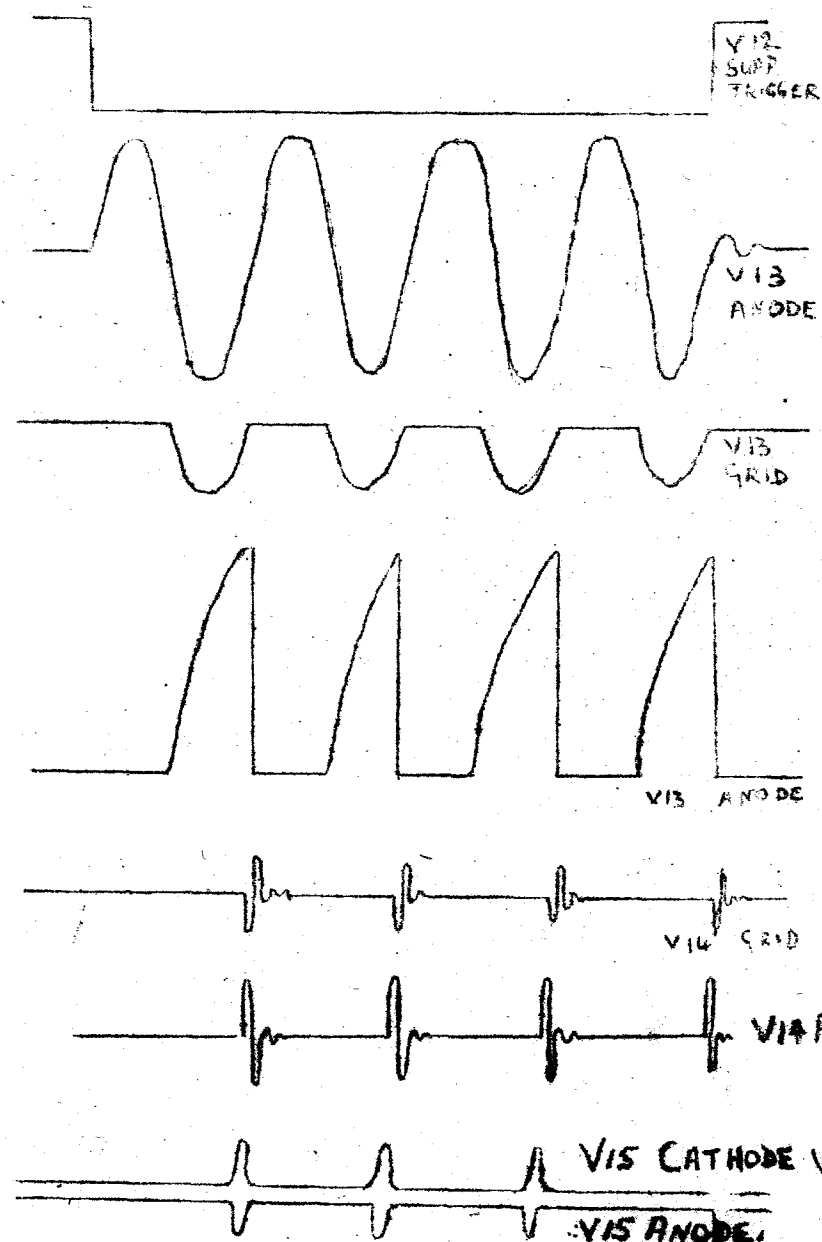
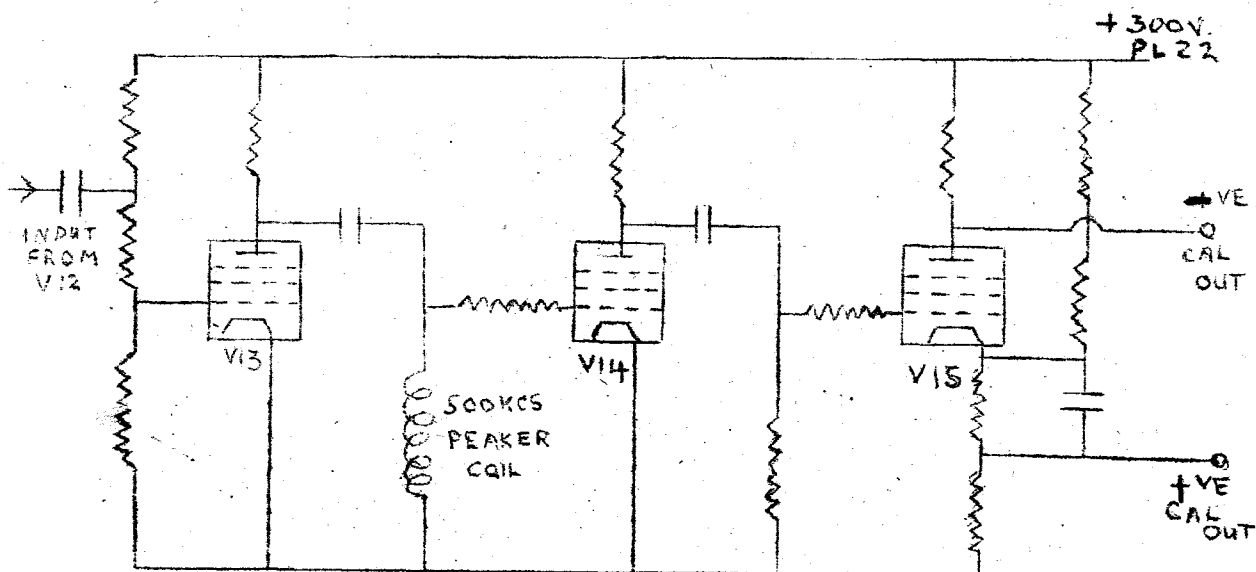


FIG 3





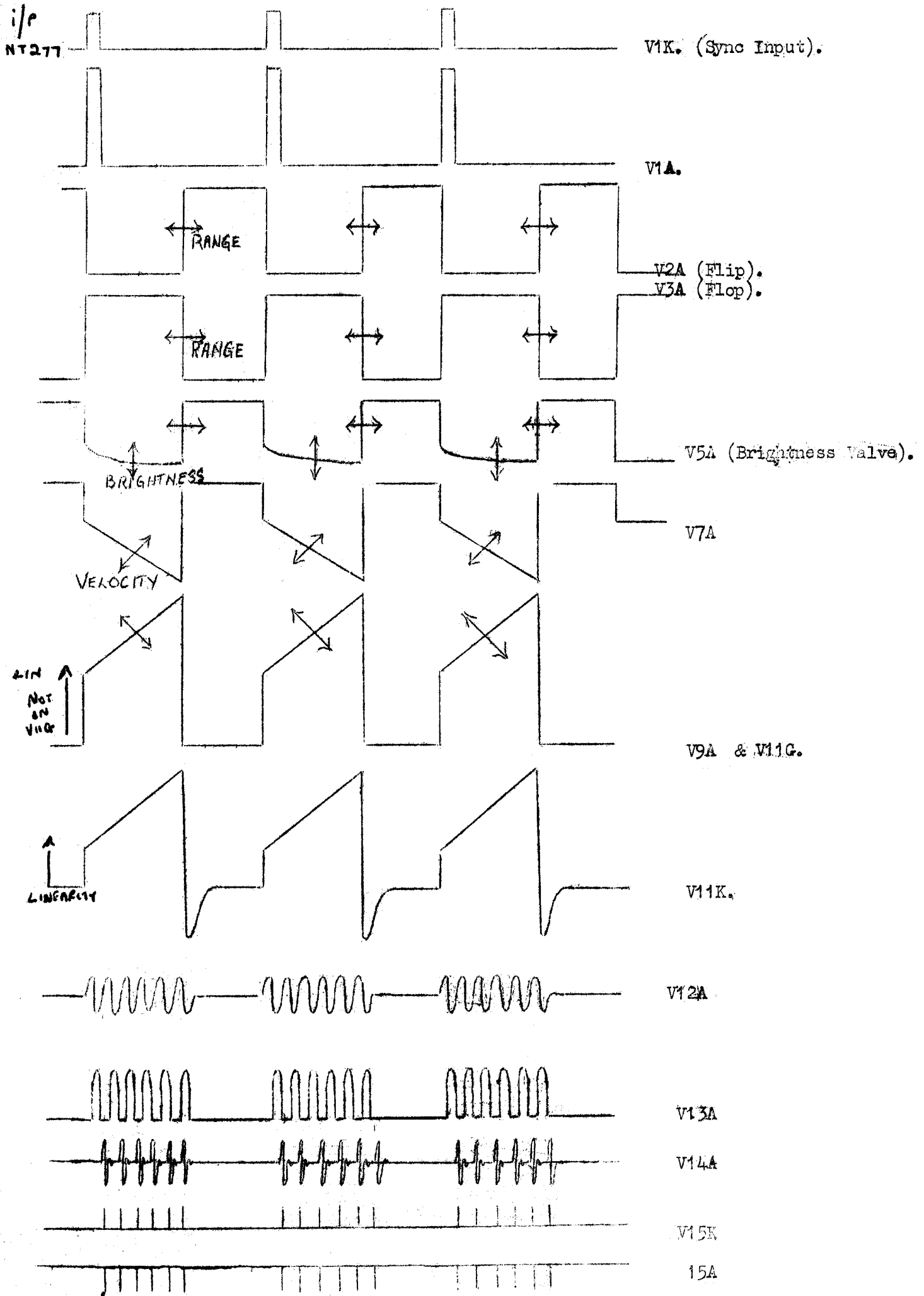
Input :- 18624 c/s sine wave from V12, fed to grid of V13.

V13 Squarer. Grid held at cathode potential by I_g . The +ve half cycles of the sine wave input is lost by I_g and only the -ve half cycles effect I_a . Due to the CR forming the anode cct, the waveform produced at the anode, has an exponential leading edge and a sharp lagging edge. Applied across a "peaker" coil, the exponential edge has no effect on the coil, but the sharp fall on the trailing edge, causes the coil to "ring" at 500 Kc/s. These oscillations are fed to the grid of

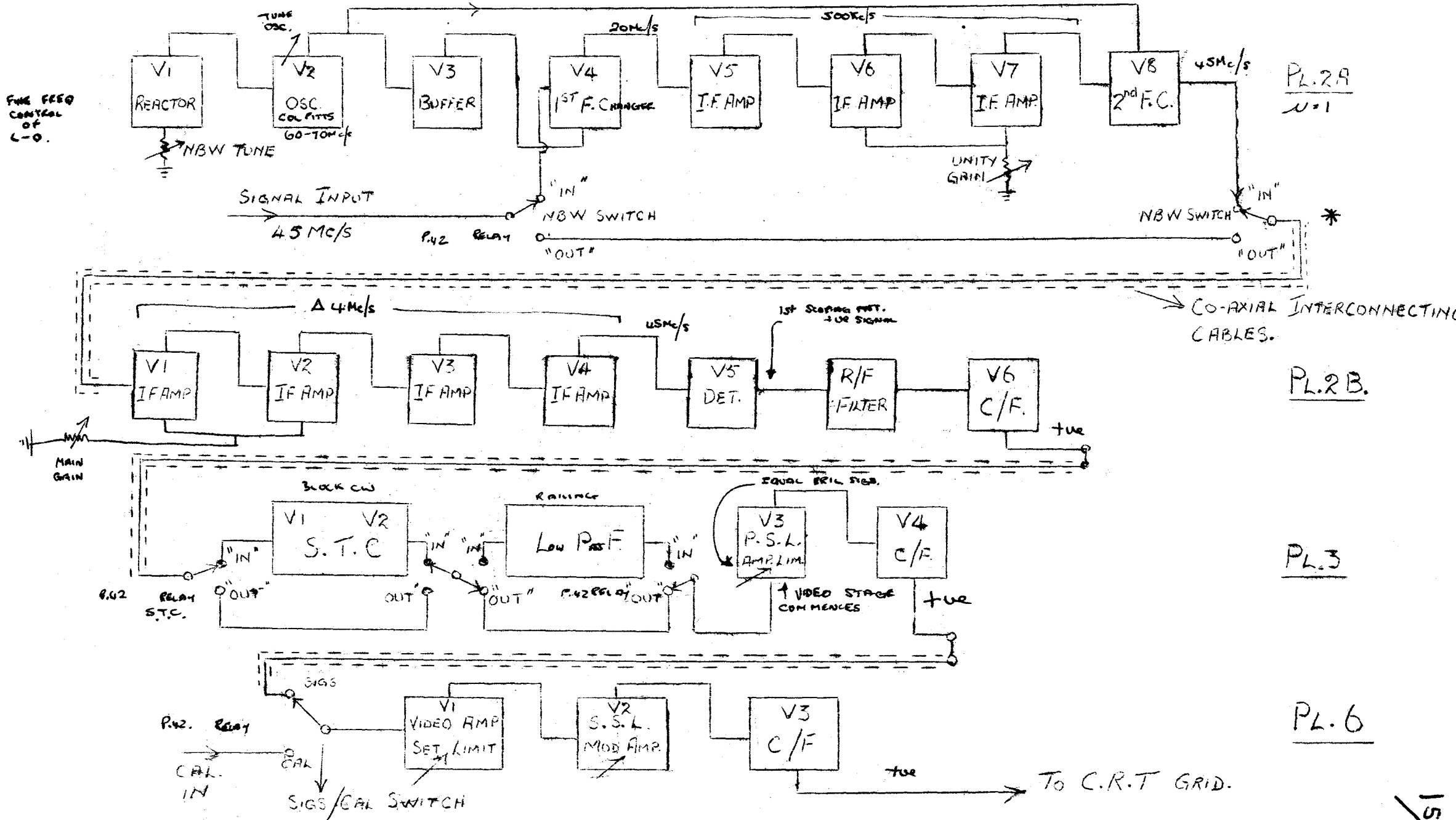
V14 Distorter, which is heavily damped by I_g , and at the anode of V14 produces a single oscillation at 500 kc/s which is applied to the grid of

V15 Cathode Follower. This valve is biased beyond cut-off (+ve potential applied to cathode). The amplitude of input from V14 is such, that only the tips of the +ve pulses cause V15 to cut-on. Thus at the cathode of V15 positive "pips" are reproduced (which are fed to P16), whilst at the anode negative "pips" are produced (which are fed to P148 from whence they can be used to calibrate any display which is incapable of producing its own calibration markers).

PANEL 5. WAVEFORMS.



BLOCK SCHEMATIC - SIGNAL CHAIN IN D.U.5.



PANEL 26 - POWER UNIT.

Input. 250V 50c/s. Fuses F1 & F2.

Output. Output from secondary winding 350 0 350V.
Applied to full wave rectifier V1.
Output from V1 300V 225mA. LC smoothing by
C1, L1, C2, L2 & C3.
In Console 15 output from V1 supplies :-
V2 & V4 in Pl.3
V7 in Pl.8
L.P.O. via Pl.46

Valves supplied in Console 16 are :-

V2 & V4 in Pl.3
V3 in Pl.6
L.P.O. via Pl.47.

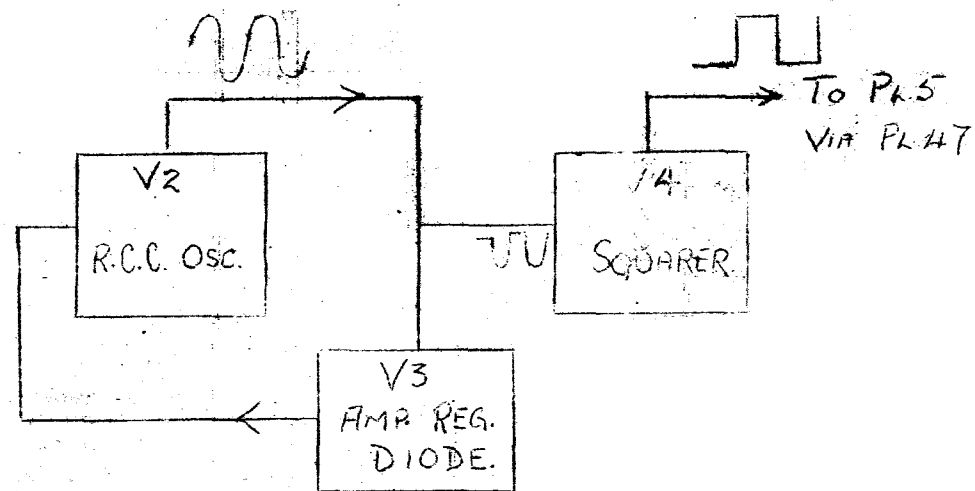
Output also used in Console 16 for application
to Focus coil and "shift" cct.

A further secondary winding on the transformer gives
an output of 70V which is applied across a full wave
bridge cct., employing metal rectifiers.

An out put of 50V D.C is obtained, used to operate all
relays.

A tapping on this winding provides 25V 50c/s as an
energising supply for all indicating lamps, on Pl 42(C.16)
and Pl.44(C.15).

THE LOCAL PULSE OSCILLATOR



Purpose. To produce a maintenance sync pulse.

Action. V2 is a four cell R.C.C. oscillator.
Frequency of the oscillator is controlled by
making the resistors in the first two cells
variable, (Frequency variable between 200 and 700 c/s)
Amplitude of output is kept constant by :-
V3. Amp. Reg. Diode. The action of this valve may
be likened to an A.V.C. diode with a delay of 55V.
The cathode of the diode is held at +55V. When the
amplitude of oscillations exceeds 55V the diode will
conduct, producing a bias applied to the grid of the
oscillator, thus reducing the gain of the valve.
The amplitude of oscillation is thus limited and
held at approximately 55V.
V4. Squarer. The sine wave output from V2 is fed to
grid of V4. This is a normal squarer, producing at
its anode a large amplitude square wave, which is fed
to Pl.5 via Pl.47 (In C.16), and to Pl.7 via Pl.46.

NOTE. The H.T. supply to L.P.O. is switched by the
sync selector switch on Pl.46 & Pl.47, and
switch must be in L.F.O position. In any
other position the H.T. supply is switched
off.

THE ANTI-JITTER CIRCUIT.

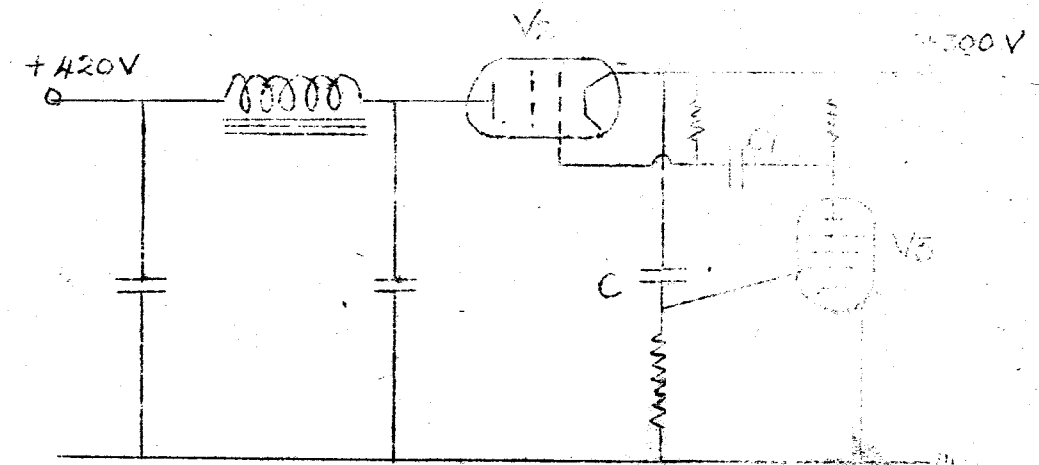
PANEL 22 - POWER UNIT.

Input 230V 50 c/s. Fuses. F1 & F2.

Outputs. Output from secondary winding (250 0 450V) applied to full wave rectifier V1. Rectified output, 420V 200mA. IC smoothing comprising C1, R1, C2. Circuit incorporates a thermal delay. HT fuse - F3.

- Output 1. 420V - Fed to V11 in Pl. 5 (Time-base C/P).
 - Output 2. 420V To anti-jitter cct. Pl. 22.
 - Output 3. 420V To stabilovolt. Fused by F4.
- Stabilised outputs from stabilovolt :-
 70V, 140V, 210V, 280V.
 70V - Not used.
 140V - Screen supply to V1, V2, V3, in Pl. 2B.
 210V - " " " V4 in Pl. 2E.
 280V - H.T. supply to V7, V9 & V12 in Pl. 5.
 " " " V1 & V2 in Pl. 2A.

The current through the stabilovolt is initially adjusted to 20mA using the "Adj. Stab." control in Pl. 22.



Purpose. To ensure that the voltage output from the power unit remains constant under rapid, varying load conditions.

Action. If the load suddenly increases, the volts drop across V2 increases with a resultant fall in output. This fall-in voltage is transferred as a fall to V3 grid (via C). If V3 grid falls, V3 anode rises. This rise in voltage appears at grid of V2 (via C1), increasing the conductance of V2 (i.e. the cathode/anode impedance is lowered).

Thus for an increase in load current there a corresponding fall in volts drop across V2 and the output remains steady.

20

PANEL 21 POWER UNIT

INPUT. 230V 50 c/s. Fuses F1 & F2.

OUTPUTS. From transformer secondary winding, 325 - 0 - 325V, applied to full wave rectifier V1. Output from V1 300V 200mA. Output fused by F3.

<u>Output 1.</u> +ve 300V applied to :-	V3 in Pl.3.	V1 & V2 in Pl.6.	Console 16) Video ccts.
	V3 in Pl.3	V1 & V6 in Pl.8.	Console 15	

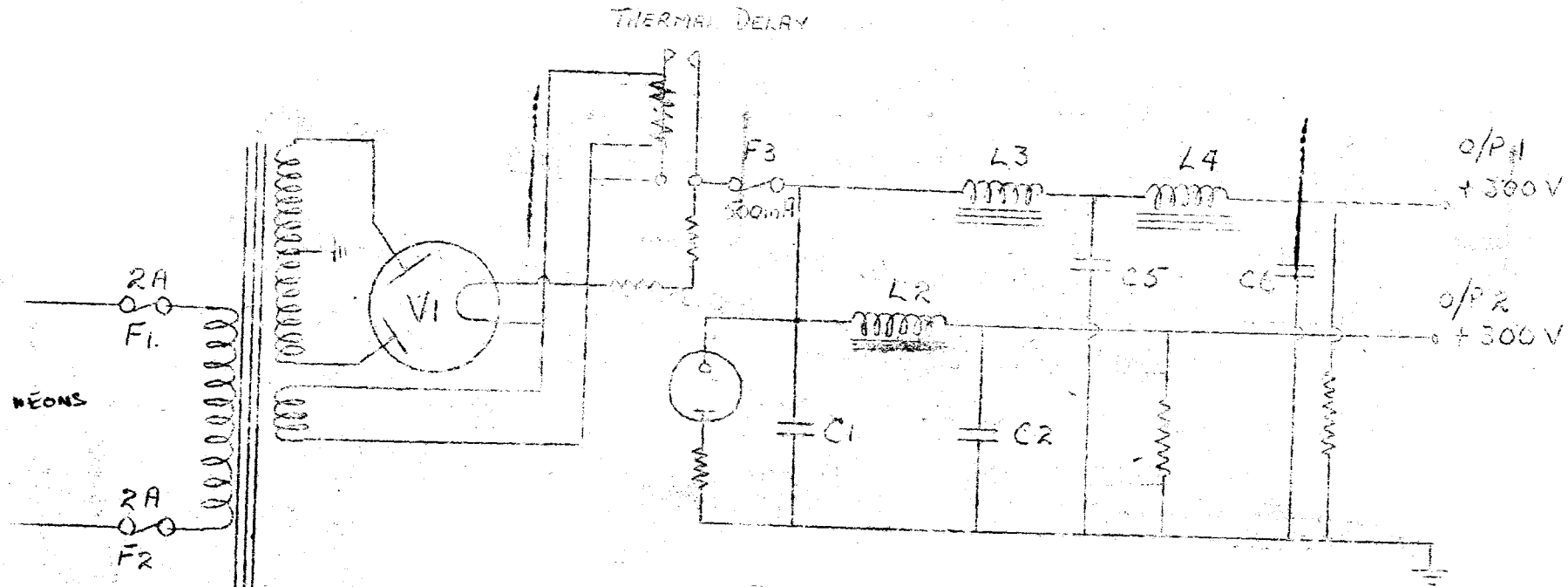
IS smoothing comprising C1, L3, C5, L4 & C6.

Output 2. Provides +300V as H.T. supply for signal chain i.e. all valves in Pl.2A & 2B with exception of V1 & V2 in Pl.2A.

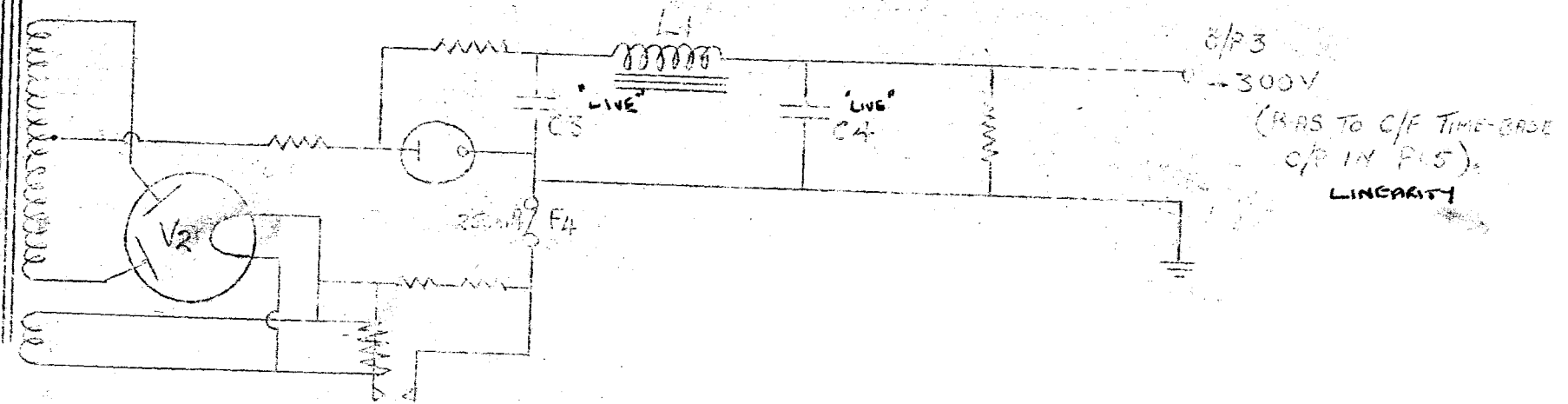
Output 3. A separate full wave rectifier V2, provides an output of -ve 300V applied as bias to the time-base C/F (V11) in Pl.5. NOTE. THIS SUPPLY IS NOT USED IN CONSOLE 15.

A thermal delay in each rectifier cct. prevents the rectifiers from being loaded until their cathodes have reached a working temperature.

PANEL 21 POWER UNIT



THERMAL DELAY



THERMAL DELAY FOR HEATERS

POWER UNIT PANEL 25.

Contains two oil immersed transformers, with paralleled primaries.

Input. 230V 50 c/s, fused by F1 & F2. AND F3

Output. From T1 (E.H.T) either 5.5 KV or 4KV (dependent on selection of primary tapping.

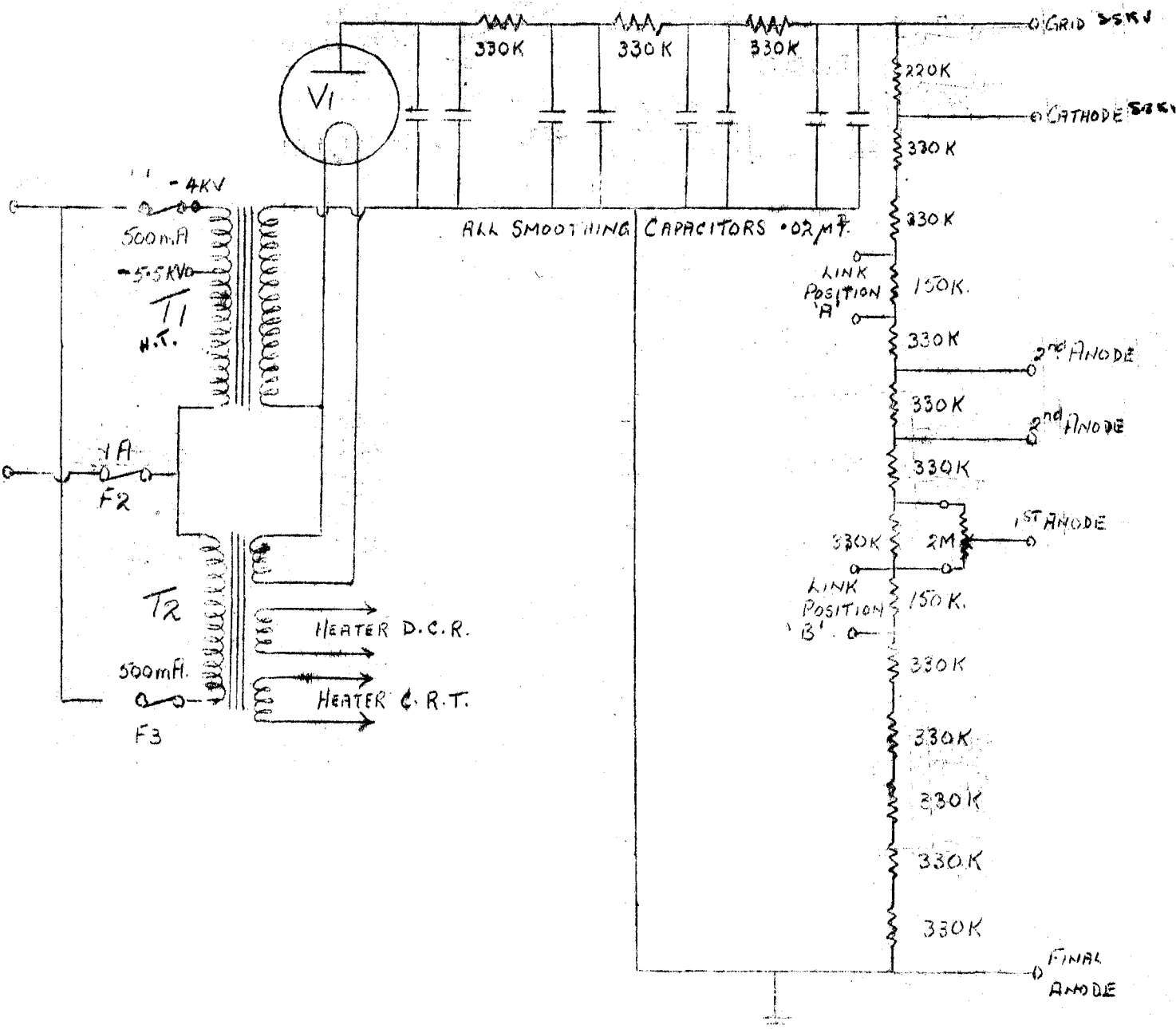
Output from transformer applied to half wave rectifier V1.

Output from rectifier smoothed by R.C. cct.

A bleeder network across the output enables the correct voltages to be tapped off for application to the C.R.T. electrodes.

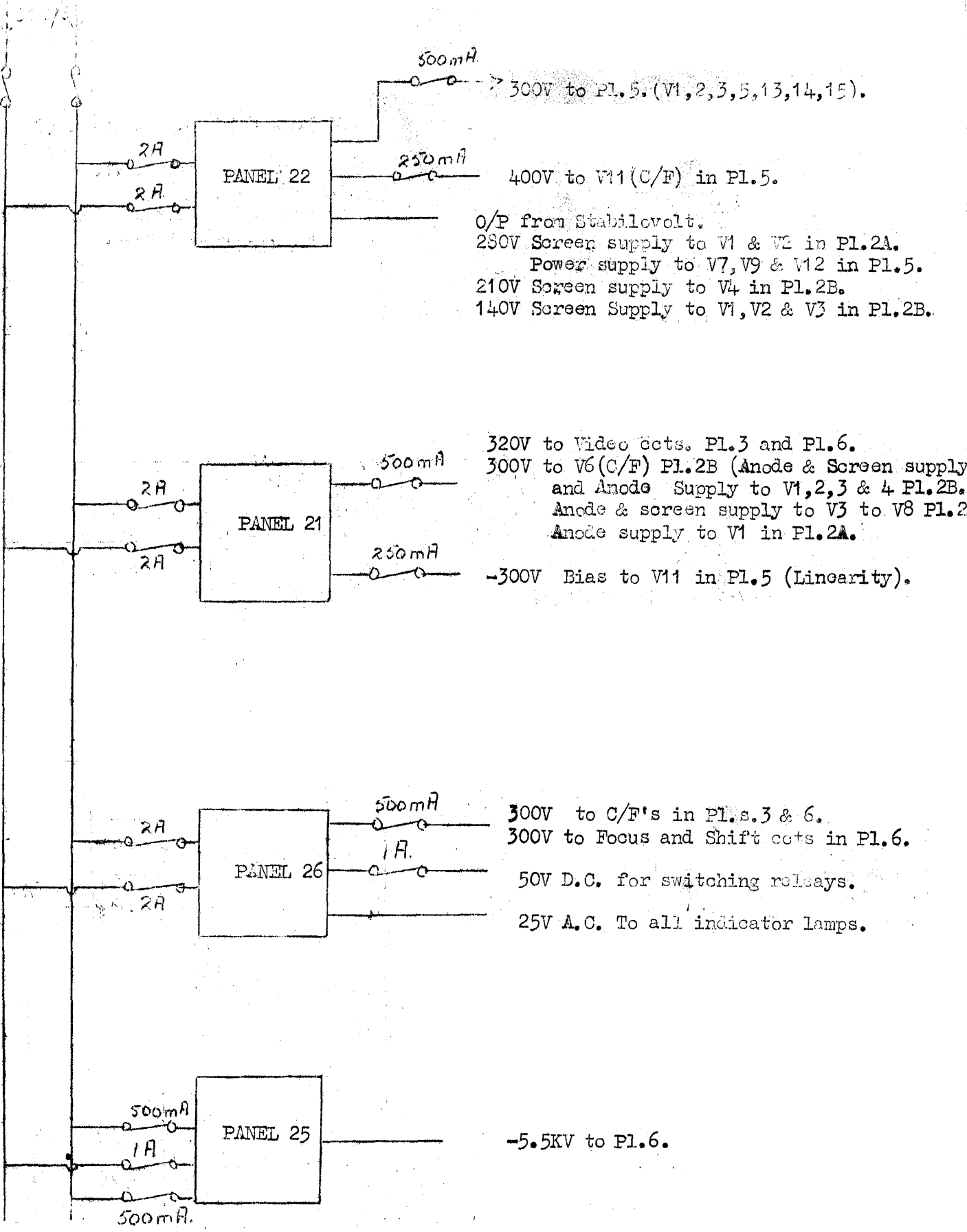
In Console 15, the "link" on the side of Pl.25 acts as a coarse focus control, the "1st Anode" control acting as a fine focus control.

T2 provides the heater voltage for the J.R.T., E.H.T. rectifier and the D.C.R. in the grid/cathode cct. of the C.R.T.



CONSOLE 16 POWER SUPPLIES.

230V



24

SETTING UP INSTRUCTIONS CONSOLE 16

Adjustment of Focus. Remove input fuses to Pl 22 & Pl 26.

Turn up brightness control on Pl 6, and mark the position of the defocused spot on the C.R.T. face.

Replace fuses to Pl 26.

Adjust the position of the focus coils with the screws provided, until the spot focusses and defocusses about the same point. NOTE The mark made on the C.R.T. face is a useful guide, in adjusting the focus coil.

Centre the spot with the X & Y shift controls. If unable to do this, reverse the plugs at the rear of the C.R.T. base clamp.

Adjustment of Time-base. Turn Sync switch on Pl 47 to L.P.O.

Set P.R.F. control to 500 c/s.

Replace fuses in Pl 22.

Adjust current through stabilovolt to 20 m.A. with "ADJ. STAB" control.

Turn Limiter controls on Pl 6 to maximum.

Switch on "Cal", and adjust "Sync" control on Pl 5 until time-base triggers on all three ranges.

Range Calibration. Switch to Range 1 and adjust "Range 1" control to obtain correct number of "Cal Pips".

Linearise trace using "Velo 1" and "Lin 1" controls.

Switch to Range 2 and Range 3 in turn and adjust in a similar manner.

Number of "Cal" Pips.

Range 1	6 to 12 pips	(30 - 60 miles)
Range 2	12 to 18 "	(60 - 90 ")
Range 3	18 to 24 "	(90 - 120 ")

Switch off calibrator.

Signal Chain.

Pl 3 Set I.F. GAIN control to minimum and adjust "Amp Limit" control until current through V3 is 12 mA. Reset Gain control to Maximum.

Pl 6 Scope cans of grid blocking condensers. Adjust "Set Limit" control until signals displayed on the oscilloscope are limited just above the peaks of noise.

Adjust "Mod Amp" control to give a convenient "paint" on the P.P.I. tube, (i.e. signals amplitude about 30V peak to peak).

Pl 2A Turn down I.F. Gain control until sig/noise ratio is 3:1. Set "N.B.W. Tune" control on Pl 42 to mid position and adjust Coarse Oscillator tuning condenser on Pl 2A for maximum signals. Set "Unity Gain" control for overall gain of one.

Turn down "Brightness" control PL5 to minimum

Turn up the " " " PL6 so trace & flyback just disappear

Turn up "Brightness" control PL5 for suitable brightness of calpips

28

SIGNAL CHAIN PL2A

Whatever equipment this console is used with, the input must be 45 Mc/s.

PL2A

This is known as the Narrow Band Width panel, and is used to eliminate interference on channels adjacent to the Tx frequency. It may be switched in or out of circuit.

Bandwidth of Panel 500Kc/s.

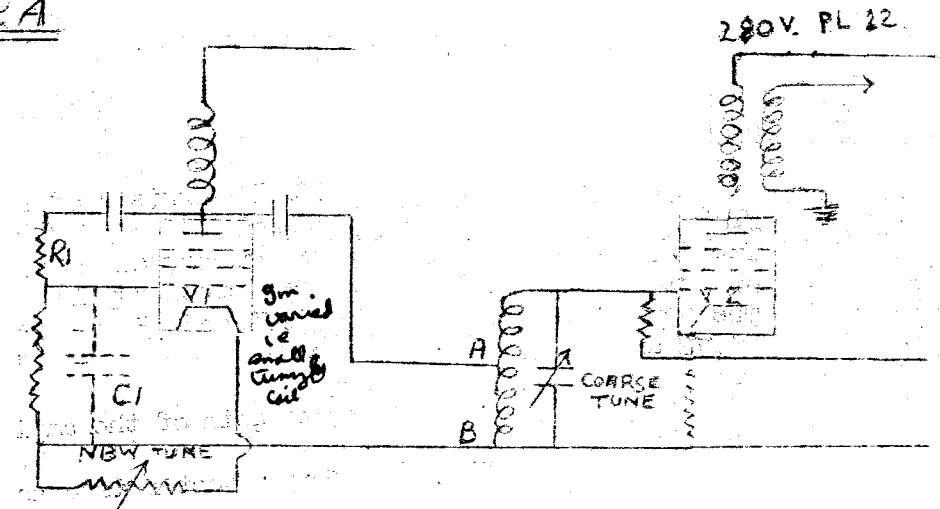
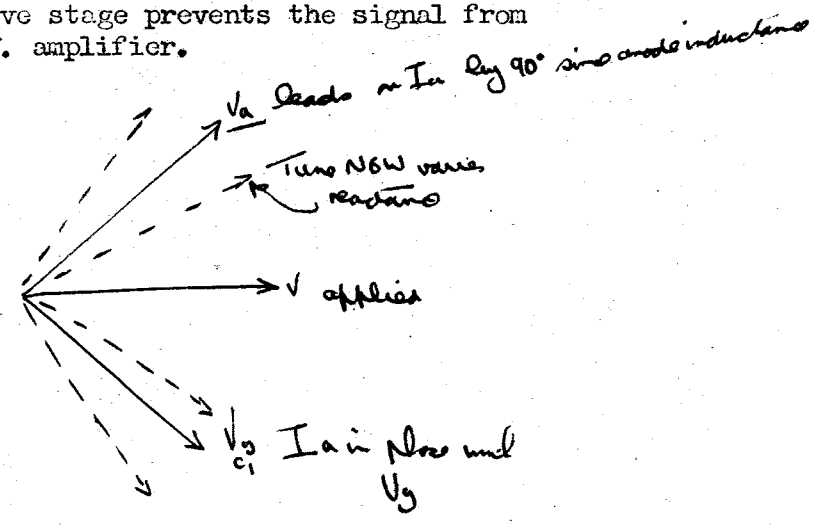
Gain of the Panel should be adjusted to give unity gain, by adjustment of the gain control which varies the bias to V6 & V7. Unity gain only is required so that no change is made to the intensity of the display with PL2A "IN" or "OUT".

In order to maintain pulse shape, the bandwidth of the main I.F. amplifier is 4 Mc/s. This wide bandwidth makes for easy jamming on adjacent channels. By reducing the bandwidth jamming can be eliminated.

PL2A is a specially designed I.F. amplifier with a bandwidth of 500 Kc/s and I.F. of 20 mc/s.

The 20Mc/s I.F. is produced by mixing the 45 Mc/s input with the output from a Local Oscillator on 65 Mc/s. The resultant 20 Mc/s output is passed through 3 stages of I.F. amplification before it is again mixed with a 65 Mc/s oscillation, to reproduce a 45Mc/s signal.

V3 Buffer. This valve stage prevents the signal from by-passing the N.B.W. amplifier.



V1 Reactor Valve.

Purpose. To provide operator with remote control over the frequency of Local Oscillator, & enable him to position N.B.W. in case of Tx or local oscillator drifting off frequency.

Action. The alternating voltage applied across V1 is the voltage developed across A-B in the grid ckt. of V2 (tunable between 60 - 70 Mc/s). Thus Va is in phase with V across A-B. A feedback path is provided by R1 and C1. The voltage developed across C1, (which is Vg input to V1) will lag on Va due to reactance of C1. As the Ia through the valve must be in phase with Vg, and Vg is lagging on Va, Ia is therefore lagging on Va, i.e. the Valve is acting as an inductance. Its inductive effect may be varied by N.B.W. Tune control. As the valve is shunted across part of the tuned ckt in V2 grid it is effectively acting as a variable inductance in that ckt.

PANEL 2B (I.F. Unit Type 48)

Pl 2B consists of four stages of I.F. amplification, followed by a diode detector and cathode follower. The I.F. is 4.5 Mc/s with a bandwidth of 4 Mc/s. Bandwidth obtained by staggering the resonant frequencies of primary and secondary tuned circuits.

The screen supply to each of the amplifiers is a stabilised voltage obtained from Pl22.

V1, V2 and V3 - Screen voltage 140V

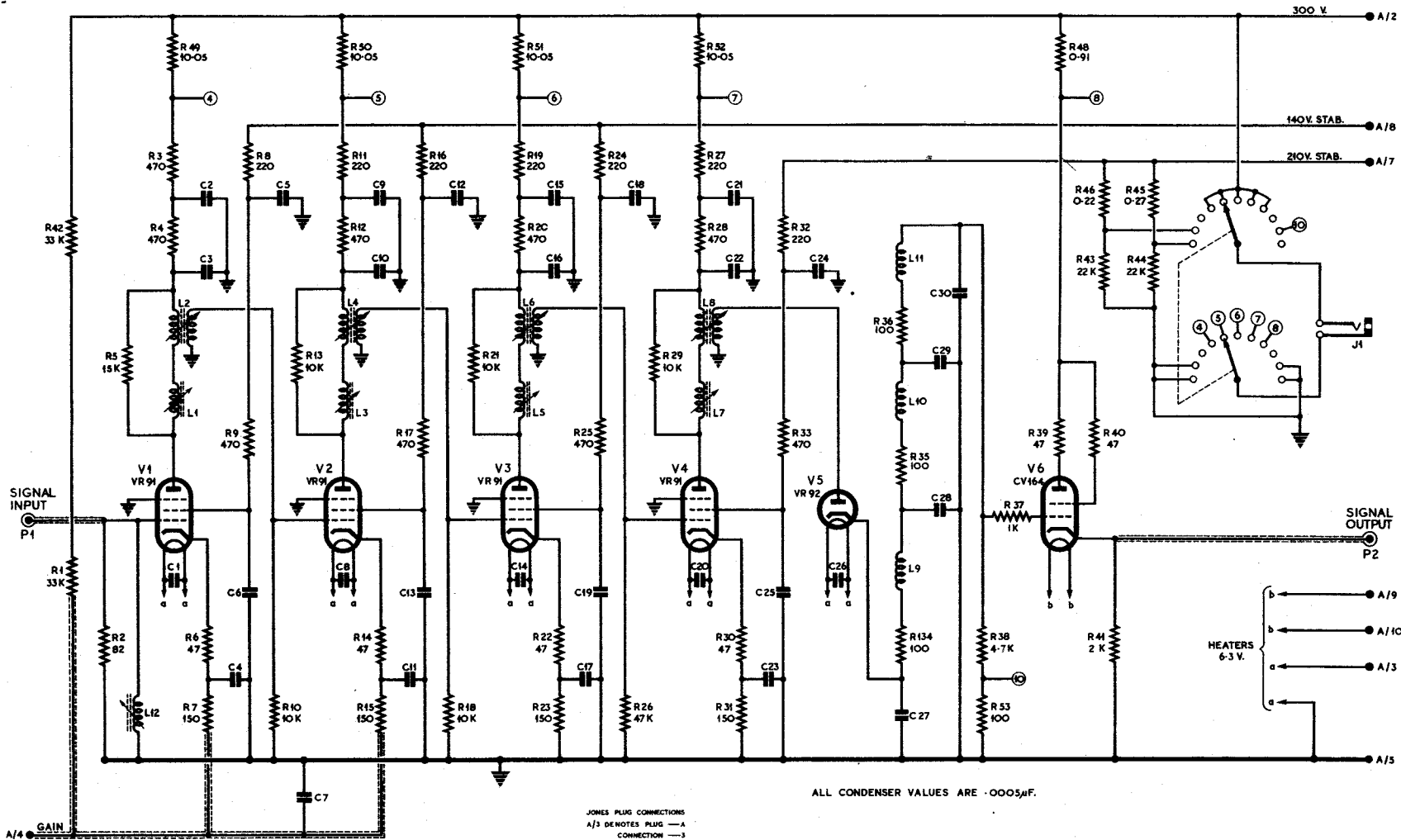
V4 - " " 210V [LARGE GRID BASE]

The gain of the amplifier is controlled manually by varying the cathode bias of V1 and V2.

The detector is a normal diode, followed by a three stage I.F. filter and a cathode follower.

When the "CARRIER TON" Switch is in the "ON" position, the amplifier is muted to ensure that only the calibration markers are displayed on the tube. Muting is achieved by breaking the screen supply to V1, V2 & V3.

GAIN 6,000



DISPLAY UNIT TYPE 5

I.F. Unit Type 48

FOR FURTHER INFORMATION
SEE A.P. 2897 A

RESTRICTED. AIR DIAGRAM
PREPARED BY THE
MINISTRY OF SUPPLY
FOR PROMULGATION BY
AIR MINISTRY

4370 / MIN
ISSUE 1, 12 SHEETS - SHEET 7, MAR/49

ALL No.	DATE	INITIALS

PANEL 3 (ANTI-JAMMING & LIMITING PANEL).

Pl 3 consists of four sections :-

1. The Short Time Constant (S.T.C.)
2. The Low Pass Filter (L.P.F.)
3. The Primary Signal Limiter.
4. Cathode Follower Output.

1. The Short Time Constant (S.T.C.) This cct. may be switched into circuit if C.W. jamming is being experienced. After detection the C.W. blocks emerge as a series of square waves, which if of a sufficiently large amplitude will cut-off the Primary Signals Limiter, resulting in the loss of all signals. By introducing the S.T.C. after the detector, the interfering "blocks" are differentiated. The resultant negative going portion of the "peaky" waveform is removed by the action of the diode V1, leaving the positive going "blip" which shows up on the display as a bright spot, which can easily be discriminated from echoes, as it is not "locked" to the time-base, and drifts across the trace. To signals the S.T.C. is a Long C.R., therefore the signals pass through undistorted.

2. The Low Pass Filter. (L.P.F.) This cct. is designed to eliminate the effect of "railing" jamming, and consists of a filter cct. which will filter all frequencies above 500 Kc/s.

3. The Primary Signal Limiter. V3.

Action. Under static conditions the valve is biased almost to cut-off. This is achieved by connecting the cathode of the P.S.L. to the cathode of V6 in Pl27, which is 25V +ve with respect to earth. The grid of V3 (P.S.L.) is made positive, the amount that it is made positive being adjustable by the "AMP LIMIT" control. When setting up the P.S.L. the control should be adjusted so that V3 passes 12mA anode current. Under these conditions the grid is biased to approximately -2V with respect to cathode (i.e. +ve 23V w.r.t. earth).

Positive going signals applied to the cathode of V3 will lift the cathode potential, and if of sufficient amplitude will cut the valve off. Any very large signals which carry the cathode well beyond cut off will therefore cause no increase in output.

4. Cathode Follower. The positive signal output from V3 is applied to V4 grid, V4 being a cathode follower. A cathode follower is used in this stage to match into the co-axial line which feeds the signals to the next stage, Pl6.

100
20

PANEL 6 INDICATING PANEL

ACTION OF SET LIMIT CONTROL

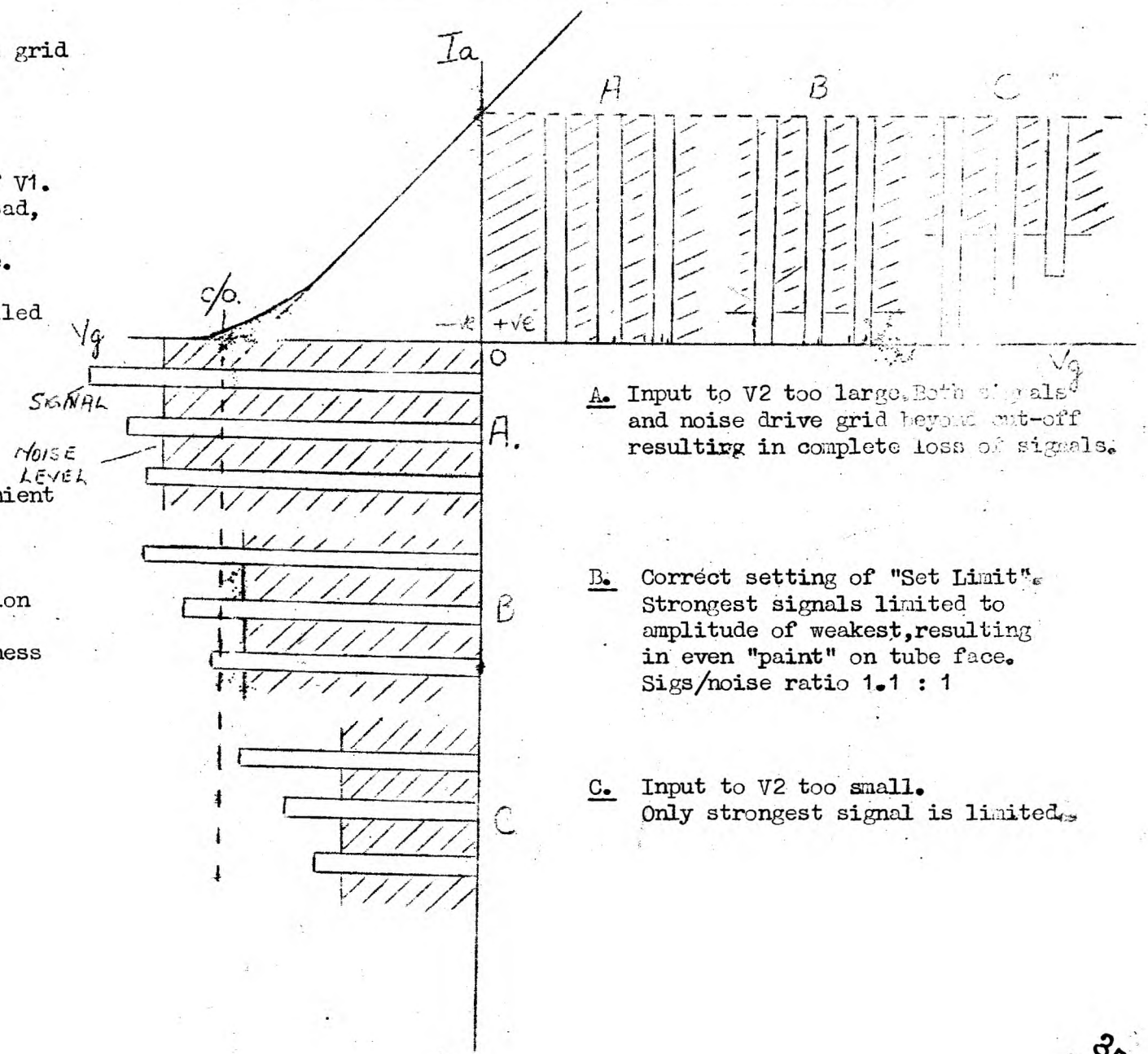
Produces a P.P.I. display on a 12" E.M. tube.
Video signals or calibration markers fed to control grid to give brilliance modulation, signals being fed in from P13, "cal" markers from I15. Selected by relay operated by "CAL" switch.

V1 Video amplifier. Signals or "cal" fed to grid of V1. Amplitude of output controlled by variable anode load, (Set Limit Control). Effect of varying the input to the following stage can be seen in diagram opposite.

V2 Secondary Signal limiter. Input to valve controlled by Set Limit control, so that amplitude of signals applied to grid of V2 is constant.

"Mod Amp" control is a variable anode load. Varying this varies the gain of the stage, thus deciding the amplitude of signal applied to the cathode follower which forms the output stage of the video chain. "Mod Amp" should be adjusted to give a convenient "paint" on the C.R.T.

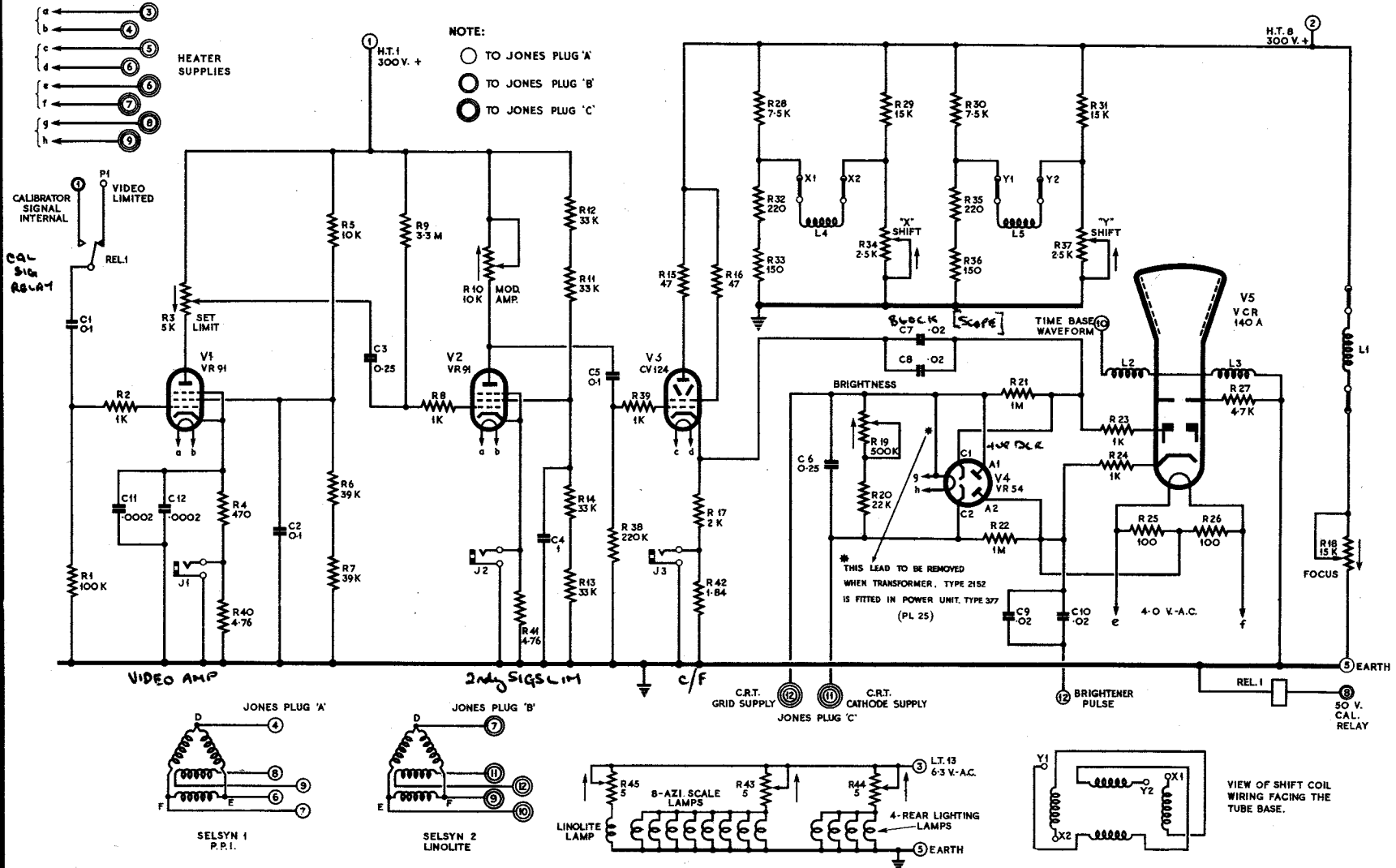
V4 D.C. Restorer (Double diode). One diode used to D.C. restore positively all signals before application to grid of the C.R.T.
The other diode D.C. restores negatively the brightness waveform applied to C.R.T. cathode.



A. Input to V2 too large. Both signals and noise drive grid beyond cut-off resulting in complete loss of signals.

B. Correct setting of "Set Limit". Strongest signals limited to amplitude of weakest, resulting in even "paint" on tube face. Sigs/noise ratio 1.1 : 1

C. Input to V2 too small. Only strongest signal is limited.



DISPLAY UNIT TYPE 5

Indicating Unit Type 115

FOR FURTHER INFORMATION
SEE A.R. 2897A

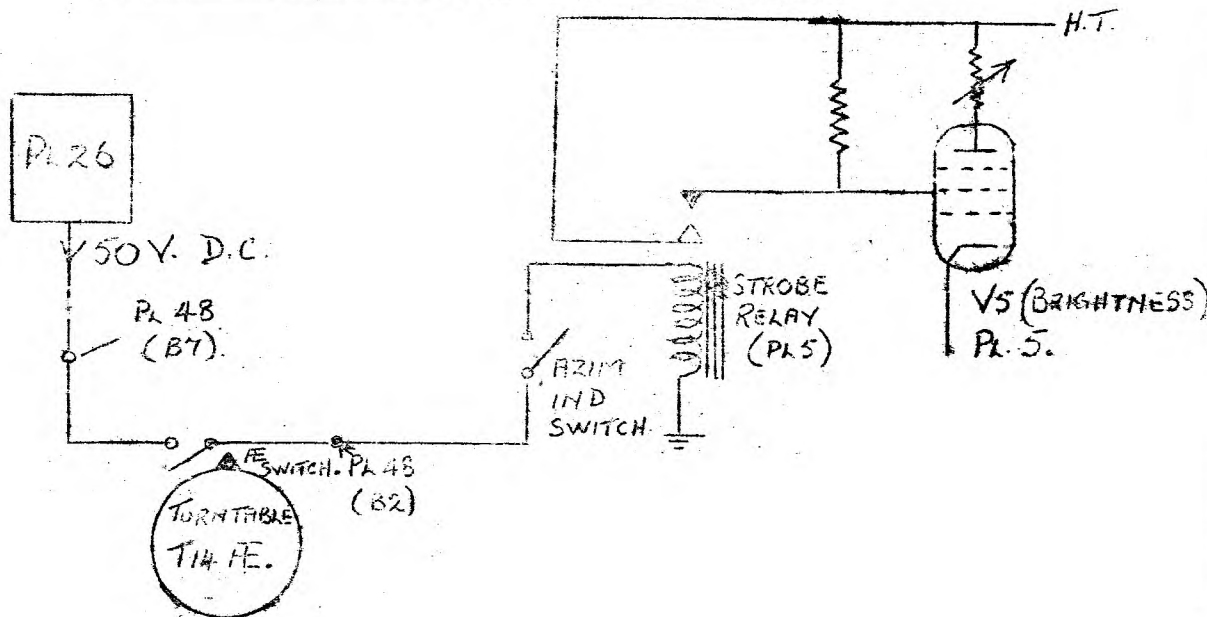
RESTRICTED
PREPARED BY THE
MINISTRY OF SUPPLY
FOR PROMULGATION BY
AIR MINISTRY

AIR DIAGRAM
4370/MIN
ISSUE 12 SHEETS - SHEET 2. N42149

A.L. No.
DATE
DETAILS

AZIMUTH STROBE

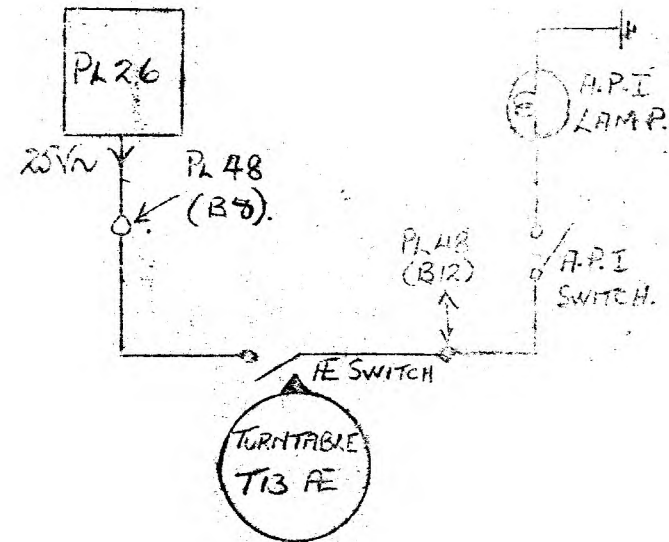
PURPOSE. TO CHECK ALIGNMENT OF TYPE 14 AERIAL WITH P.P.I TIME-BASE. :



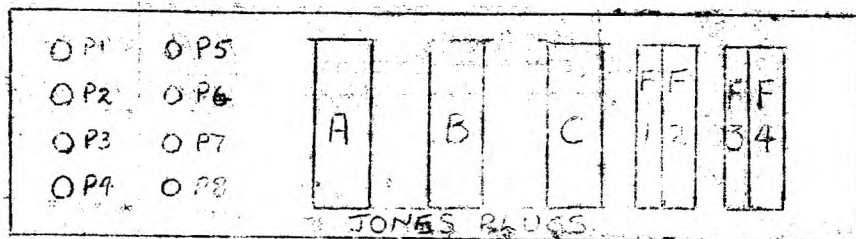
Action. With Aerial and Azim. Ind. switches open, the strobe relay is de-energised. Azim. Ind. switch is a manually operated switch on P1 42, the aerial switch is a mechanical switch mounted on the aerial turntable, which closes at some pre-determined position, (usually when the aerial is pointing due N) When both switches are closed, the strobe relay is energised, short circuiting the screen resistor to the brightness valve V5. This results in a fall of V_a , thus producing a larger bright-up pulse with consequent trace brightening as the aerial passes through due North. This should coincide with the time-base passing through North. If aerial and time-base are not synchronised, disconnect the selsyn drive to the time-base coils, rotate the time-base coils by hand until trace is in correct position, then re-connect the selsyn motor.

AERIAL POSITION INDICATOR.

PURPOSE. TO CHECK ALIGNMENT OF TYPE 13 AE WITH "LINE O LITE"



The "line o lite" indicates the direction in which the Type 13 Aerial is pointing. With Aerial and A.P.I. switch open the A.P.I. lamp is de-energised. The Aerial switch is arranged to close when the Type 13 aerial is pointing in a pre-determined direction. (Usually N). If the A.P.I. switch on P1 42 is closed, when the aerial swings through N, the cct. to the A.P.I. lamp will be completed. At the instant the lamp flashes, the "line o lite" should also be pointing N. If it is pointing in any other direction, disconnect drive to "line o lite" selsyn, turn "line o lite" by hand until it points due N, re-connect selsyn.

CONNECTION PANEL. PL 48P. Pye plug connections.

- P1 Signal input (45 Mc/s).
 P2 Blank.
 P3 +ve sync input Type 13.
 P4 +ve sync input Type 14.
 P5 -ve sync input Type 11.
 P6) Blank
 P7)
 P8 -ve Cal output.

Jones Plugs.

- A. Regulated and unregulated mains supply input.
 B P.P.I. selsyn connections.
 C "Line o lite" selsyn connections.

CONTROL PANEL PL 42.

Has all control switches, "N.B.W." tune control, and main gain control mounted on it.

SYNC SELECTOR PANEL PL 47.

Contains sync selector switch, which selects appropriate sync pulse for Tx with which the equipment is working.

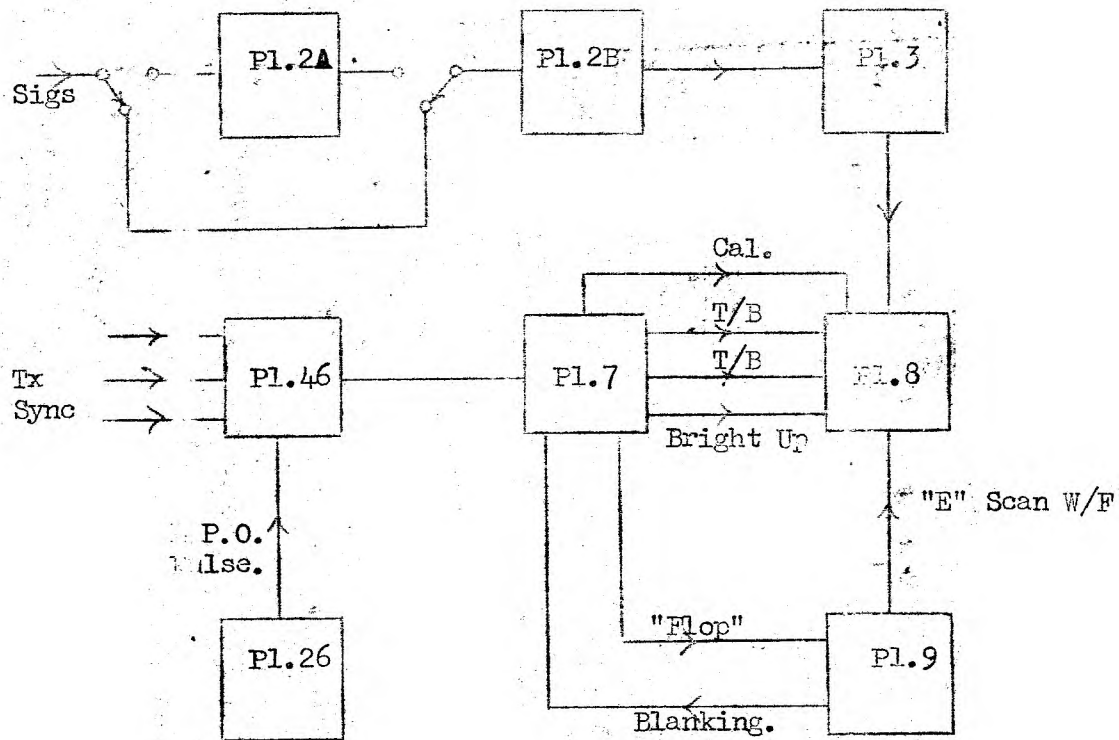
1. L.P.O. -For fault locatio or setting-up purposes.
2. Type 11.
3. Type 13.
4. Type 14.

When on L.P.O. the H.T. supply is switched on to V2 & V4 in Pl 26.

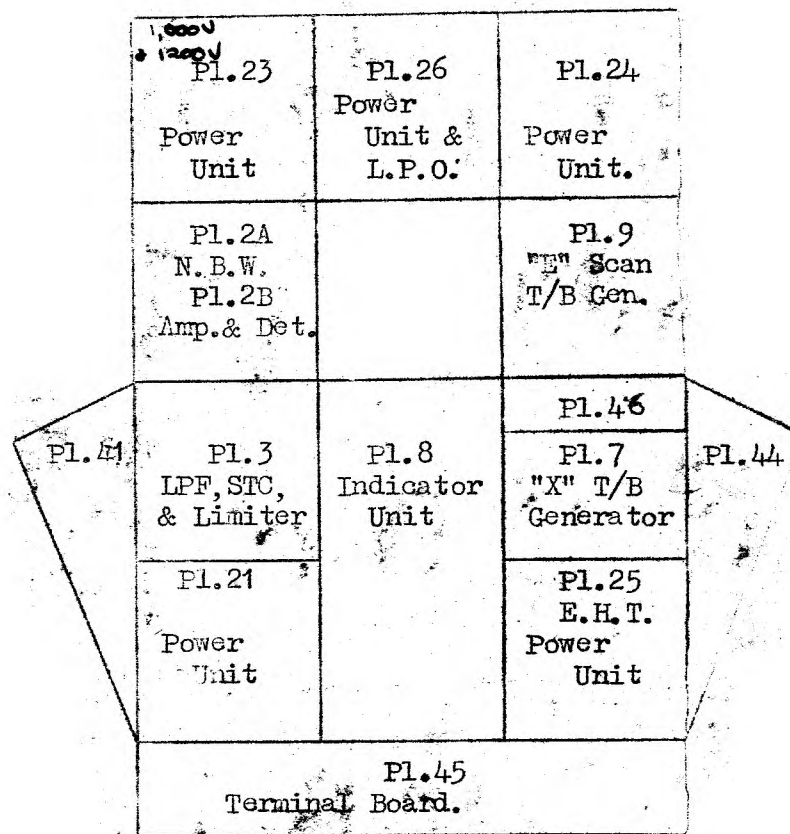
In the remaining positions, the H.T. to these valves is broken, preventing the L.P.O from functioning.

CONSOLE TYPE 15

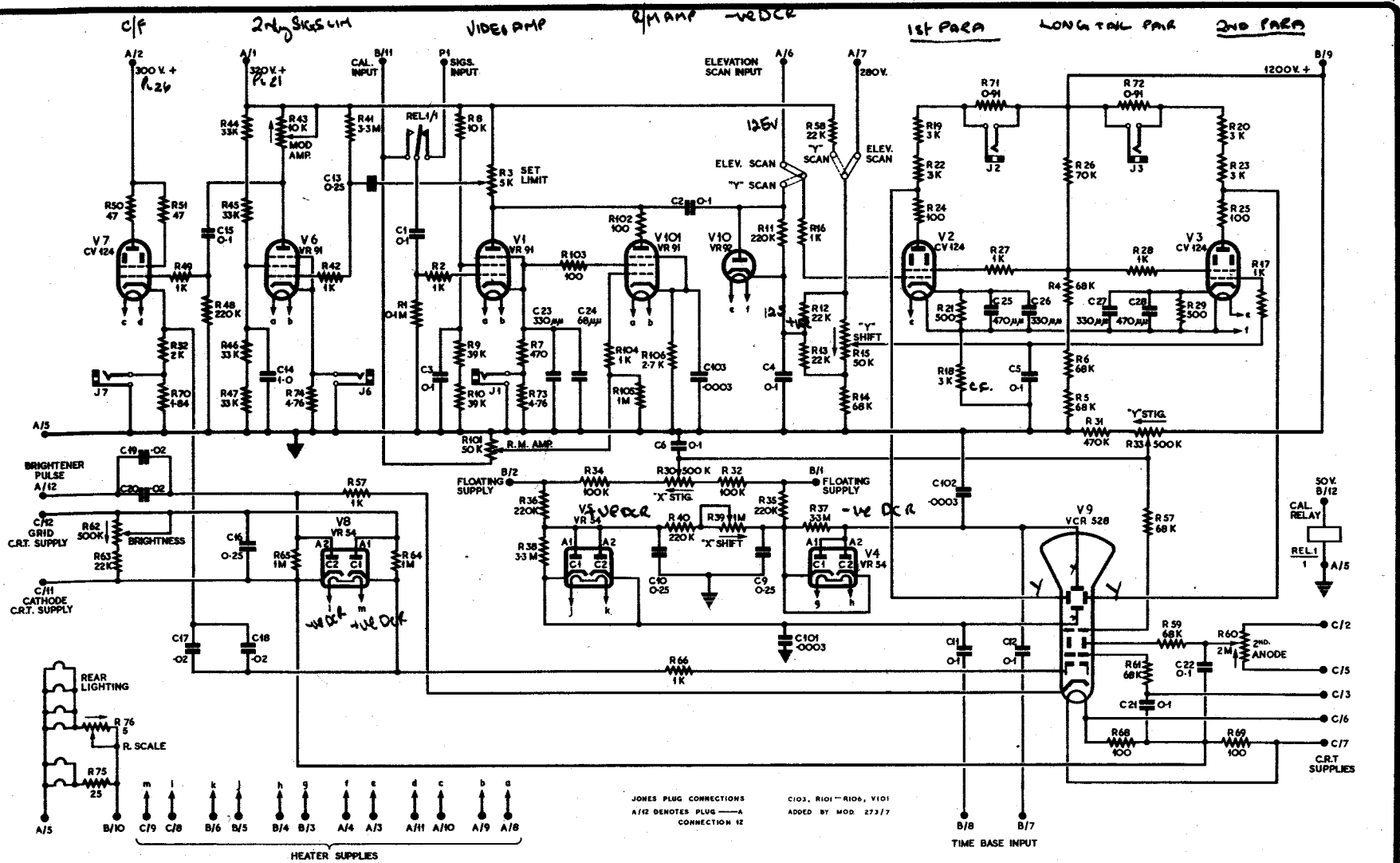
DISPLAY UNIT TYPE 5 - CONSOLE 15.



BLOCK DIAGRAM



PHYSICAL LAY-OUT.



DISPLAY UNIT TYPE 5

Indicating Unit Type 114

FOR FURTHER INFORMATION SEE A.P. 2897 B (2)

FOR FURTHER INFORMATION
SEE A.P. 2897 A.

RESTRICTED AIR DIAGRAM
PREPARED BY THE
MINISTRY OF SUPPLY
FOR PROMULGATION BY
AIR MINISTRY

4370/MIN

ISSUE 1 12 SHEETS - SHEET 4. MAR 1949

ALL No.	DATE	INITIALS

'Y' scan Position of lines as shown; intensity and deflection modulation of signals. Signals being fed to long tail pair PPA's and then to 'Y' plates.
 V_{10} acting as a -ve D.C.R.

'E' scan Intensity modulation of signals only. E scan waveform from panel 9 fed to PPA's and then to 'Y' plates. Shift voltage change from 250-280. This is done since the mean potential of the E scan waveform is 220 volts which would result in large shift voltage causing trace to go below proper working point. V_{shift}

'Y' shift Adjust by varying grid potential of V_3 resulting in variation of V_3 DC anode voltage and also V_2 anode voltage enabling convenient means of shift control.

V_{101} Enables sigs and cal to be displayed together when on 'Y' scan

[long marker AMP] long marker amplitude adjusts amplitude of cal.

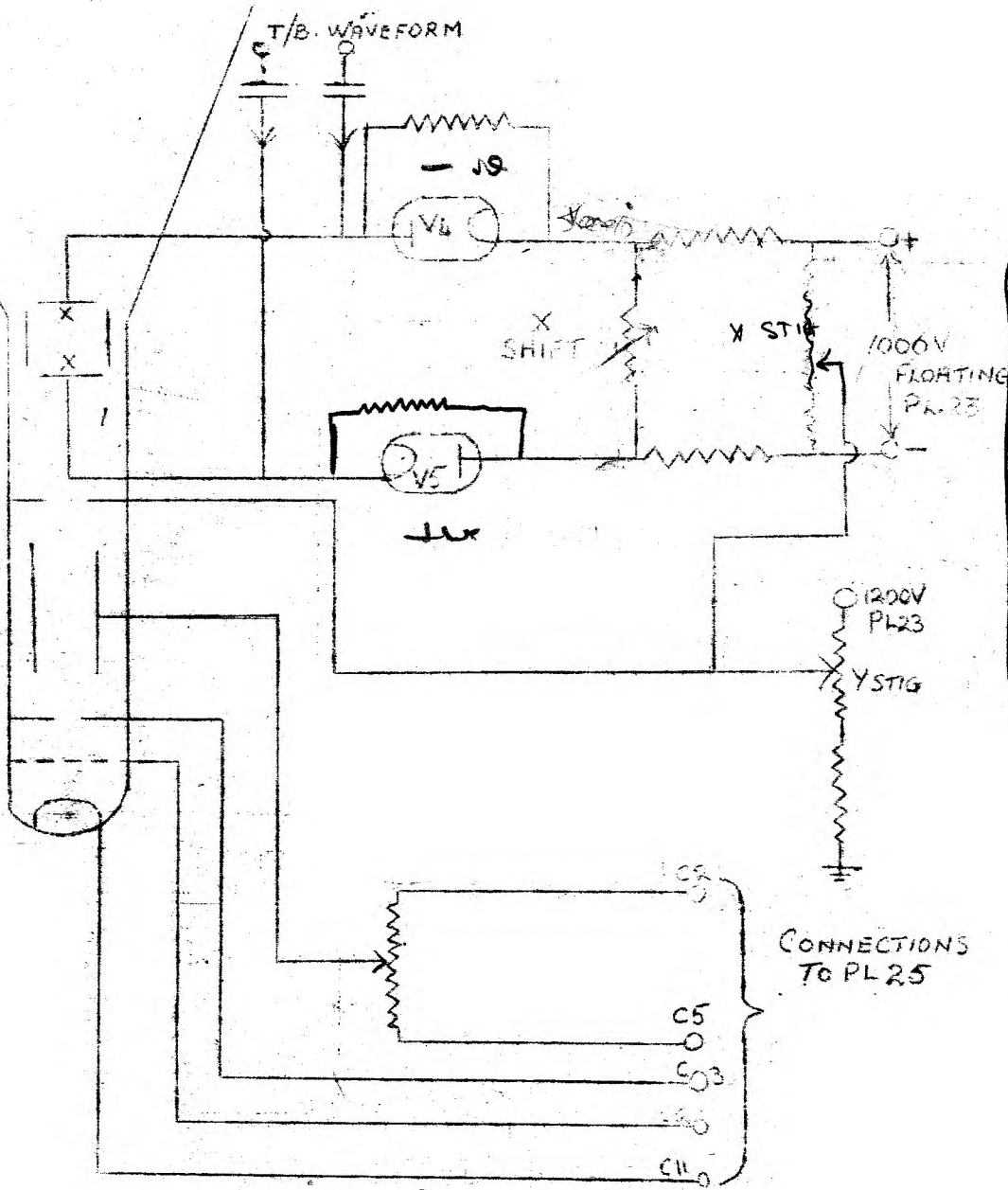
"X shift" Varies the potential difference between the X-plates, but does not vary the mean potential of the X plates

"X stig" Alters the mean potential of the X-plates with respect to the final anode, but does not alter the P.D. between the X plates.

"Y stig" Varies the potential on the final anode with respect to the fixed mean potential of the Y plates.

Variation of "Y stig" control does not upset "X stig" since 1,000V floating supply used and mean potential of the X plates vary with the final anode.

PANEL 8. C.R.T. POWER SUPPLIES, SHIFT & "STIG" CIRCUITS.



Connections. C2,5,3,11 & 12 are taken to the bleeder network across the E.H.T. supply (Pl.25).

Brightness Control. Varies the potential of the grid with respect to cathode.

~~"X" Shift Control. Varies the mean potential of the X plates.~~ X

~~"X" Stig Control. Varies the potential of the X plates with respect to the final anode.~~ X

~~"Y" Stig Control. Mean potential of Y plates is 750V and the Y stig control enables the potential of the final anode to be adjusted so that it is at a similar potential.~~ X

Focus Control. Varies the potential applied to the 2nd (focussing) anode.

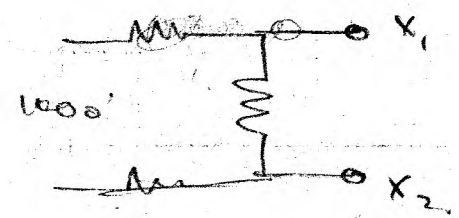
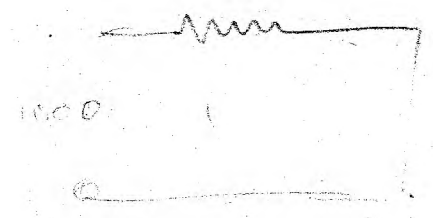
V4 & V5 -ve and +ve D.C. restorers, restoring the time base waveforms to the potential of the X plates.

see written notes

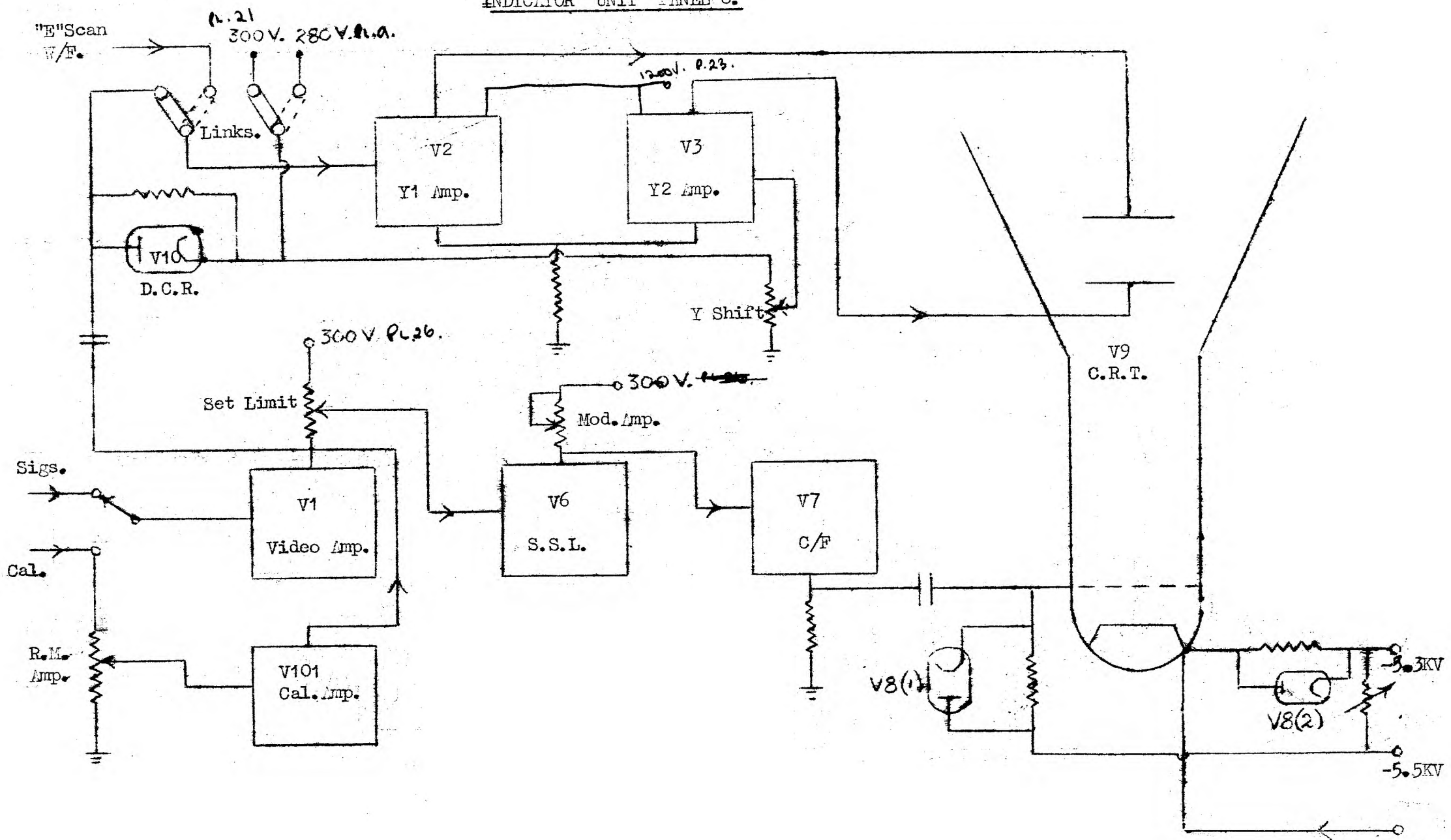
1200 mean 200V
200

1200 mean 1700
2200

600 - 100V.
-100



INDICATOR UNIT PANEL 8.

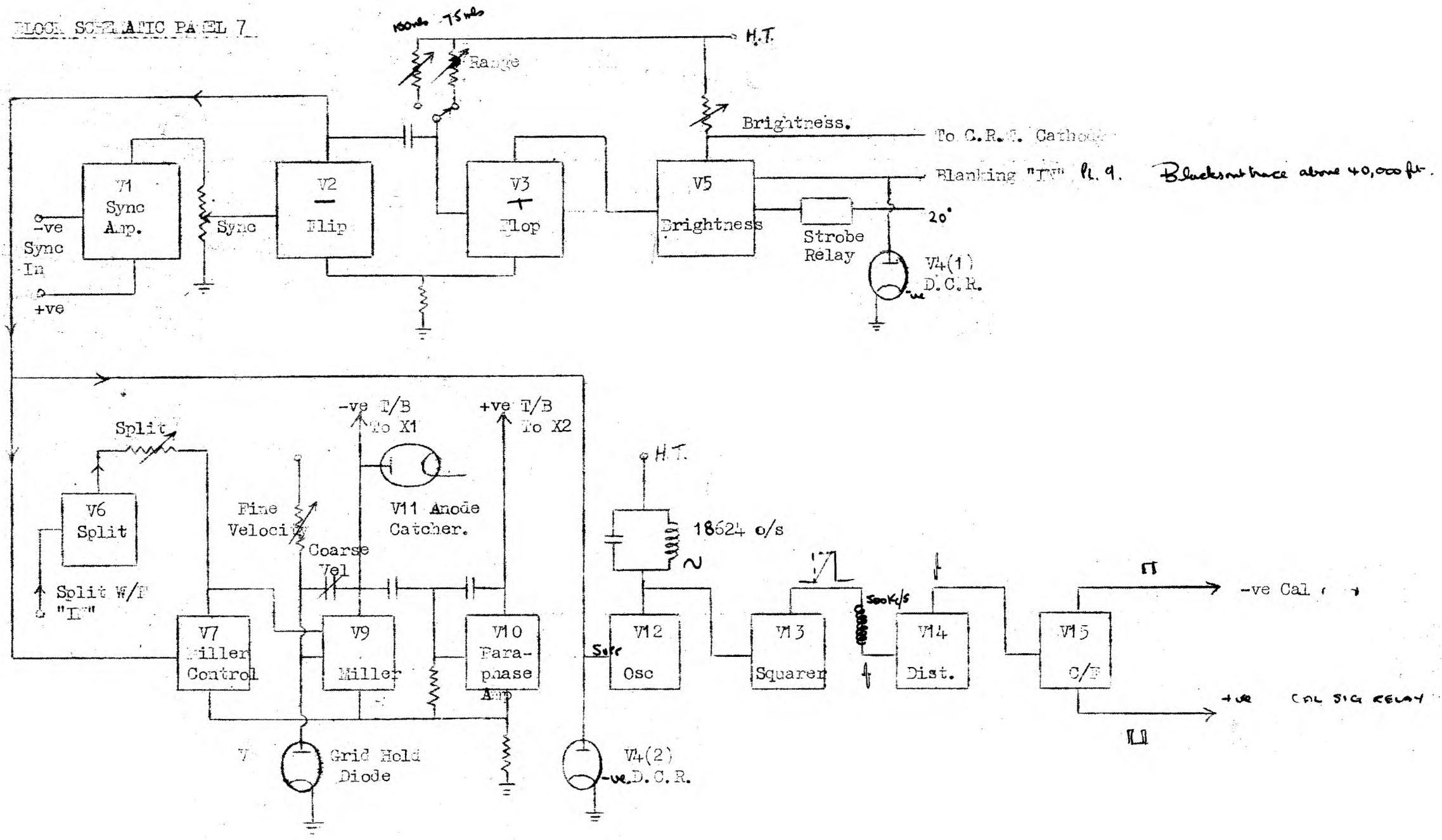


Bright up

153

54

FLOOR SCHEMATIC PANEL 7



PANEL 7 TIME-BASE PANEL .

- PURPOSE.
1. To produce the time-base.
 2. To produce calibration markers.
 3. To eliminate flyback. (Brightness).

The circuit of Pl. 7 can be divided into three sections.

- (a) Triggering & brightness. (V1 to V5)
- (b) Time-base generator. (V6 - V11)
- (c) Calibration. (V12 - V15)

- (a) The triggering and brightness section is the same as in Pl. 5 except for the coupling between V1 & V2, and the number of ranges.
- (c) The calibration cct. is identical to that in Pl. 5, except that H.T. to the "Cal" oscillator is not broken when the SIGS/CAL switch is in the SIGS position.

TRIGGERING AND BRIGHTNESS SECTION V1 to V5.

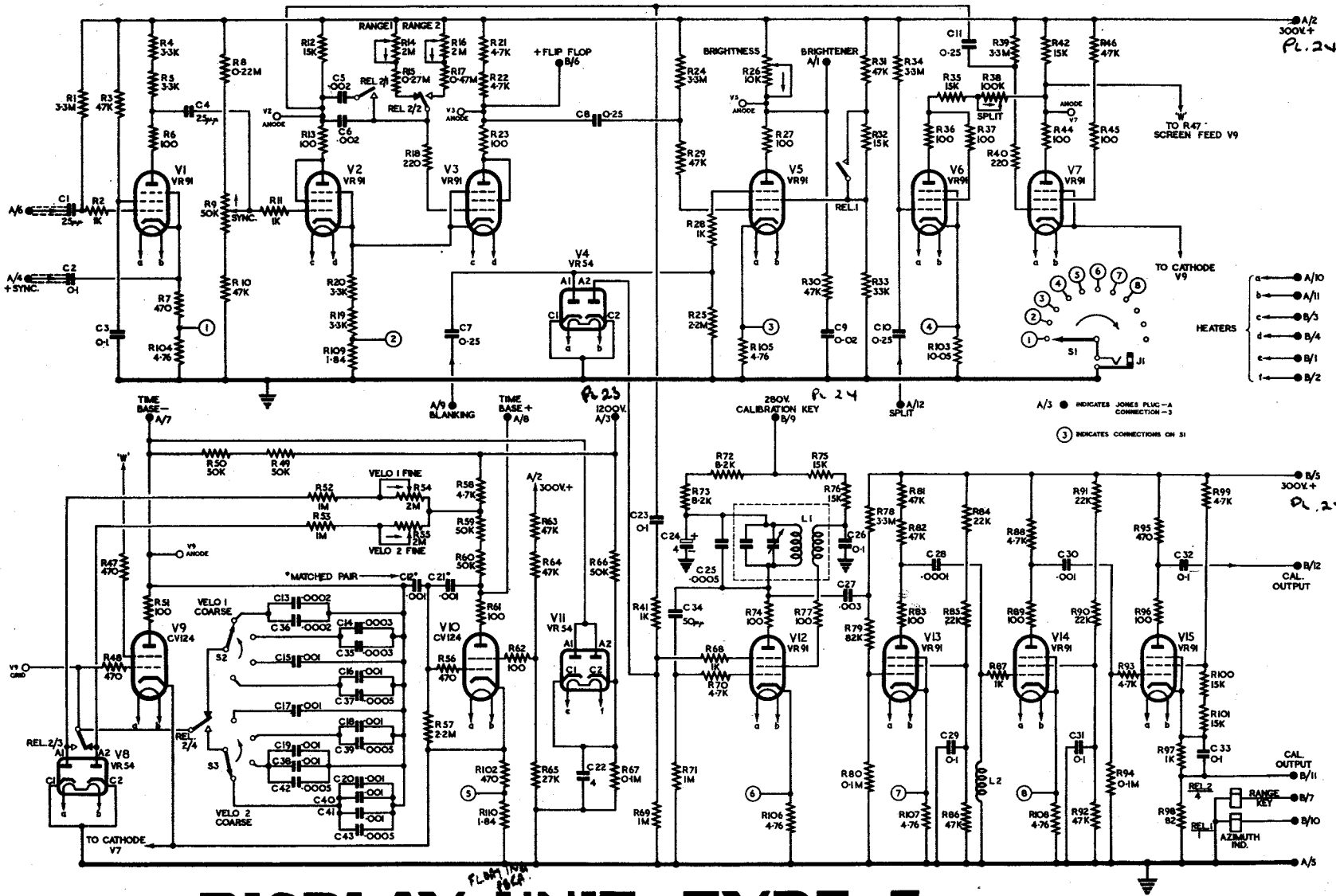
Action The circuit is the same as in Pl. 5, with the following exceptions.

1. The R.C. coupling between V1 & V2. This cct. differentiates the output from V1, so that the triggering pulse applied to V2 is a small, narrow +ve going pulse.
2. There are only two ranges on the flip-flop.
3. The Strobe relay is operated by the "AZIM IND." switch and the Aerial switch. The aerial switch is on the aerial tilting mechanism, and is adjusted to close at a pre-determined position, to give a "strobe" bright-up at a definite angle of tilt (Usually 5 degrees).

CALIBRATION CIRCUIT.

The calibration cct. (V12 - V15) is modified so that calibration markers are displayed all the time irrespective of the position of the SIGS/CAL switch. This is the only way in which the cct. differs from the "cal" cct. in Pl. 5.

46



DISPLAY UNIT TYPE 5

Time Base Unit Type 37

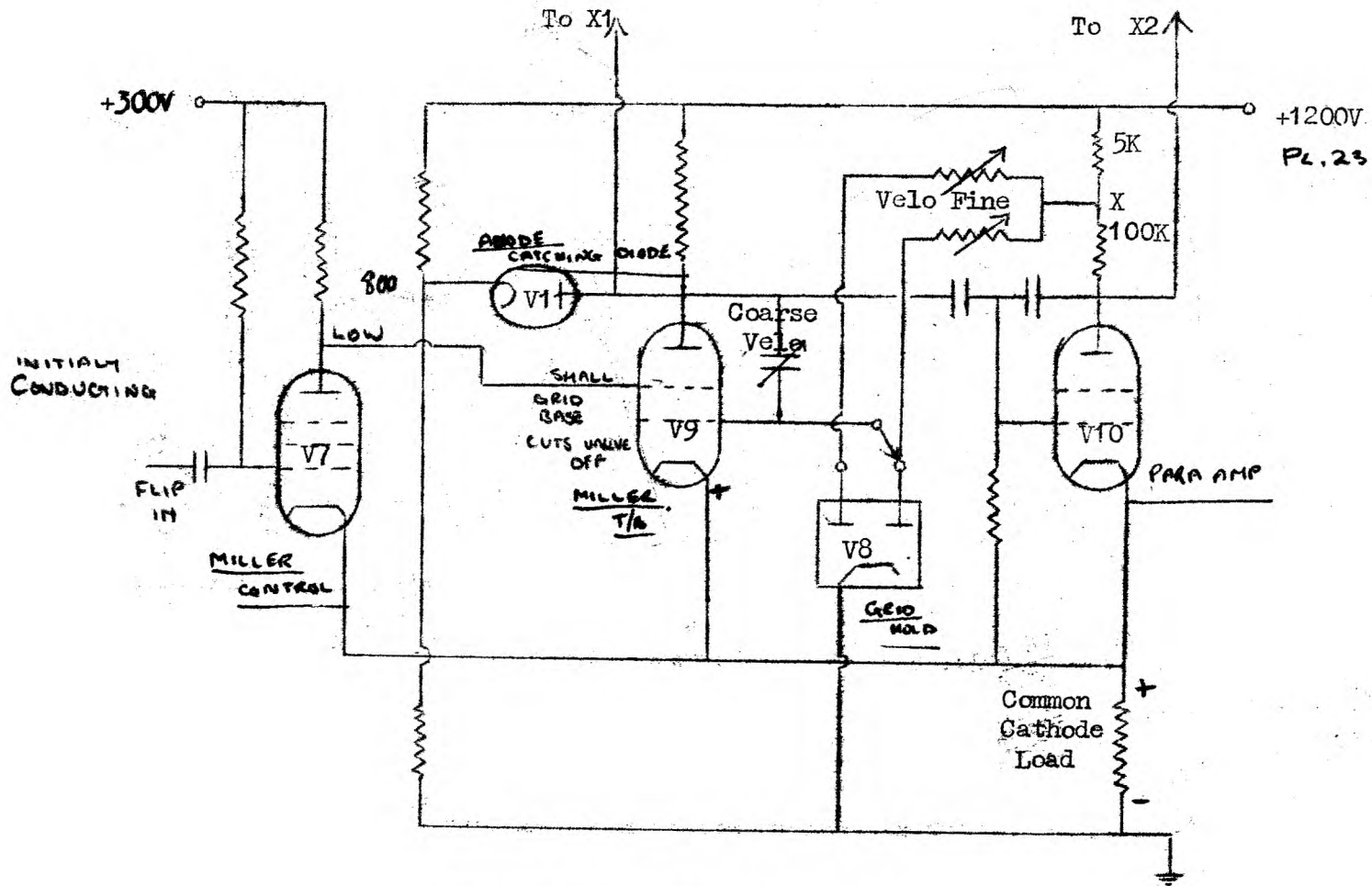
FOR FURTHER INFORMATION
SEE A.P. 2897 A

RESTRICTED AIR DIAGRAM
PREPARED BY THE
MINISTRY OF SUPPLY
FOR REPRODUCTION BY
AIR MINISTRY
ISSUE 1 12 SHEETS - SHEET 3, MAR 1949

64

PANEL 7 - TIME-BASE PANEL.

Time-base Generator Section - V7 to V10.



SIMPLIFIED TIME-BASE CIRCUIT.

CIRCUIT ACTION.

V7 to V10 Static Conditions. V7 and V10 are conducting. V9K is therefore +ve with respect to earth (due to current through common cathode resistor). V9G is held at earth potential by the "grid hold" diode, V8. As there is a direct connection between V7A & V9S, the screen potential of V9 is well below H.T. (V7 is conducting). Combination of these factors results in V9 being cut off.

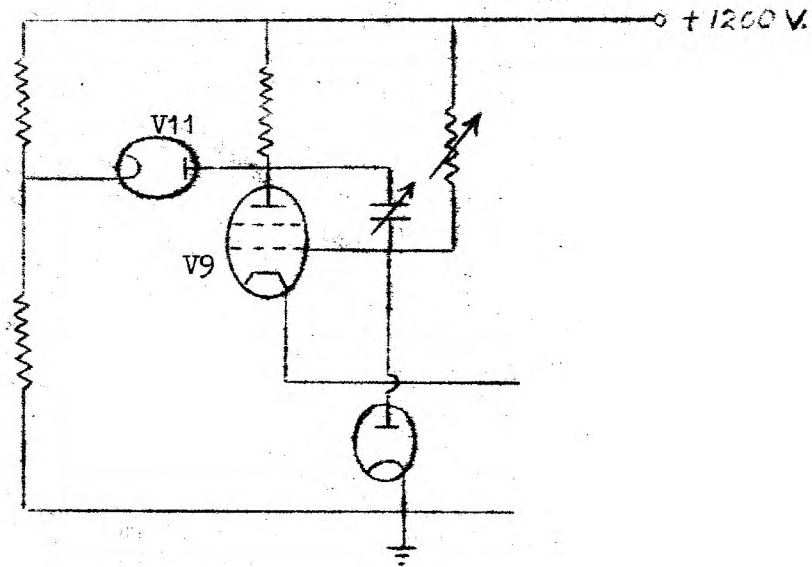
Triggering Action Negative going square wave from "flip" (V2), applied to grid of V7, cutting valve off. Potential at V7A rises, lifting V9S. Due to decrease in current through the common cathode resistor, V9K falls. The increase in screen potential and fall in cathode potential results in V9 conducting, Miller action takes place.

V10 is connected as a "floating" paraphase amplifier to V9. Output from V9 is therefore of equal amplitude but opposite in phase to V9.

Linearity. To ensure extreme linearity, the FINE VELOCITY controls, (Miller grid leaks), are returned to a tapping on the anode load of V10. Thus as the Miller condenser charges, lifting the potential of V9G, the potential at point X is also rising at the same rate. The potential across the VELO control is therefore constant, resulting in a constant charging rate to the Miller condenser.

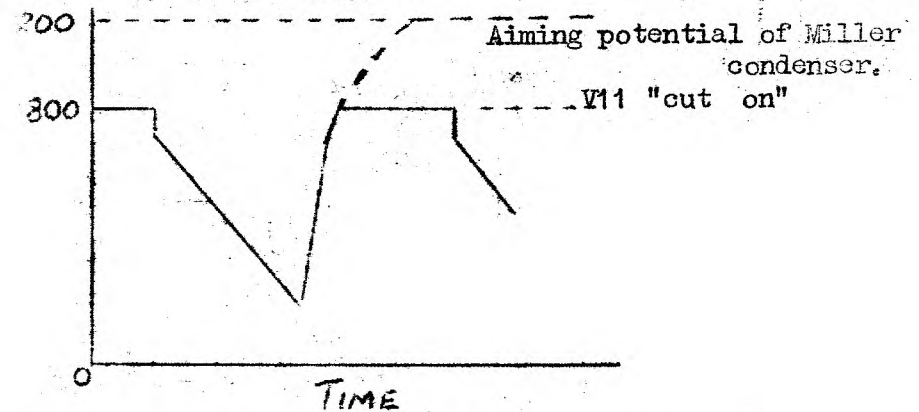
PANEL 7 TIME-BASE

Action of V11, The Anode Catcher.

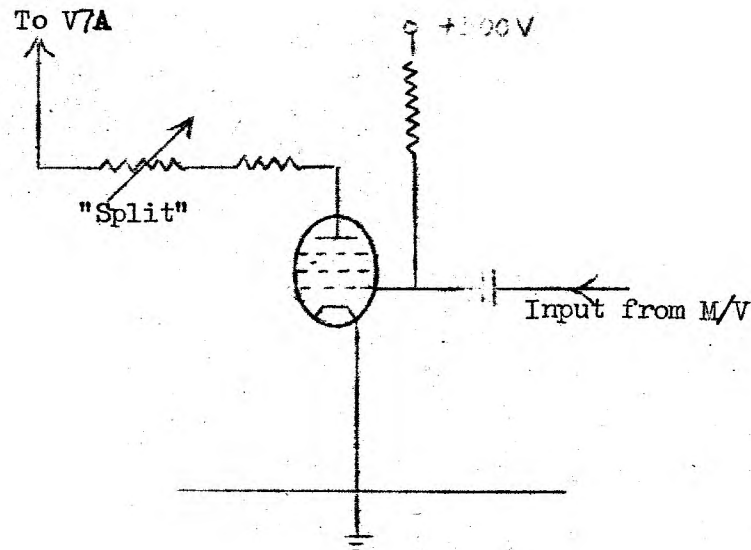


PURPOSE. To reduce the time of the "flyback".

ACTION. Cathode of V11 connected to a bleeder network across the supply and is 800V =ve with respect to earth. Anode of the diode connected to the anode of the Miller valve V9. Under static conditions V11 is conducting, holding the anode of V9 at 800V approx. When V9 is triggered its anode potential falls and V11 is cut off. At the end of the triggering pulse V9 is once more cut off and the Miller condenser commences to charge,

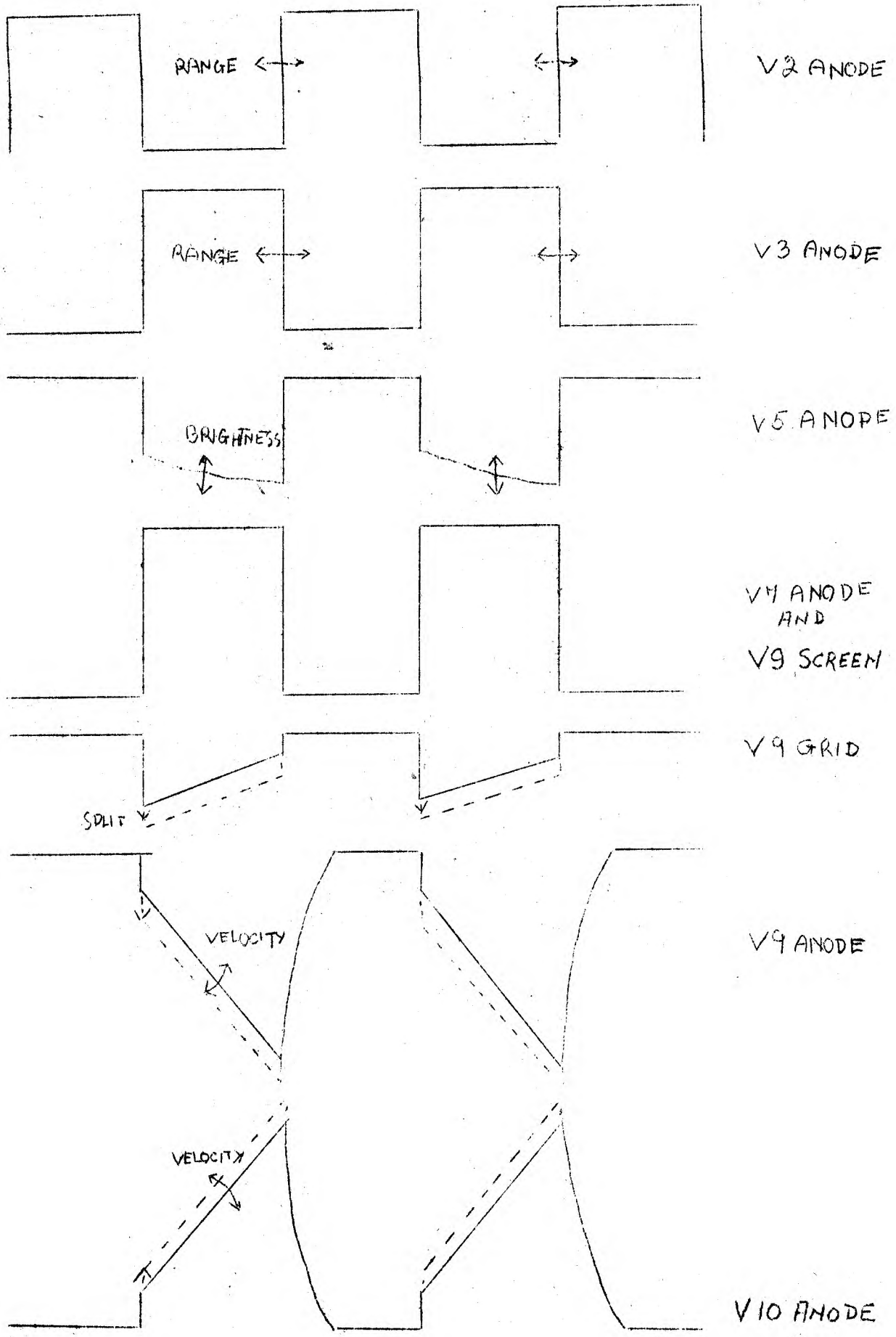


its aiming potential being 1200V. As soon as it reaches 800V the anode catcher V11 conducts, holding the potential of V9A at 800V



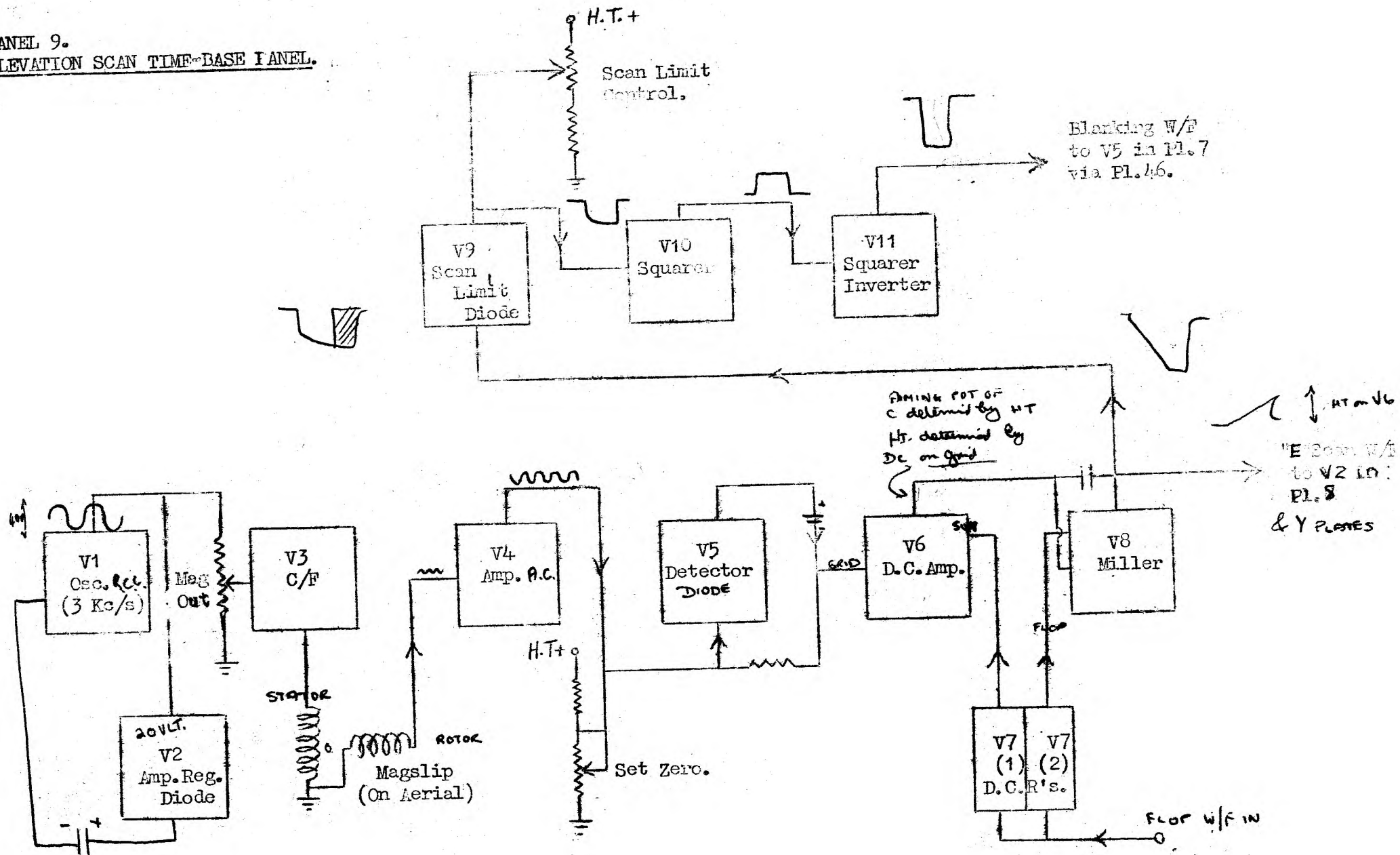
V6 Split Valve. PURPOSE To provide a method of shifting alternate traces to the right, thus affording facilities to compare signal amplitudes for height finding. ACTION. A square wave at half P.R.F. obtained from a multi vib unit is applied to V6G. The -ve half cycle will cause potential at V6A to rise. V6A is connected to V7A via a variable resistor (Split Control). Therefore as V6A rises, V7A & V9S rises simultaneously. Increasing the screen potential of V9 effectively increases the grid base of the valve, which in turn will increase the step in the time-base waveform.

Thus alternate traces are displaced to the right, the amount of displacement being dependent upon the amount that the "step" is increased by. This is controlled by the "Split" control.

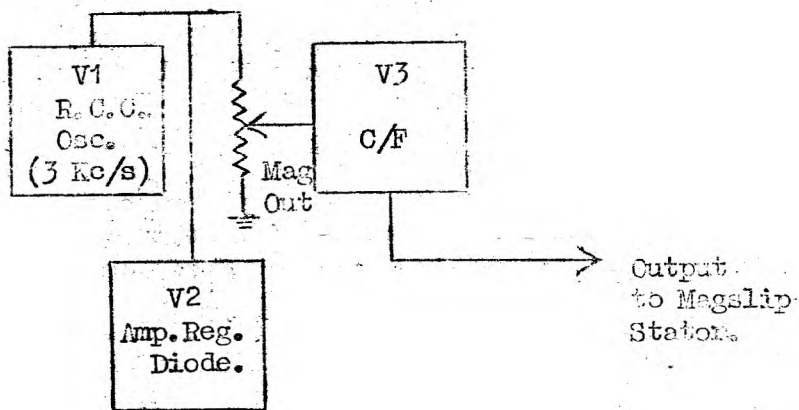


PLY TIME BASE WAVEFORMS

PANEL 9.
ELEVATION SCAN TIME-BASE PANEL.



ELEVATION SCAN PANEL 9.



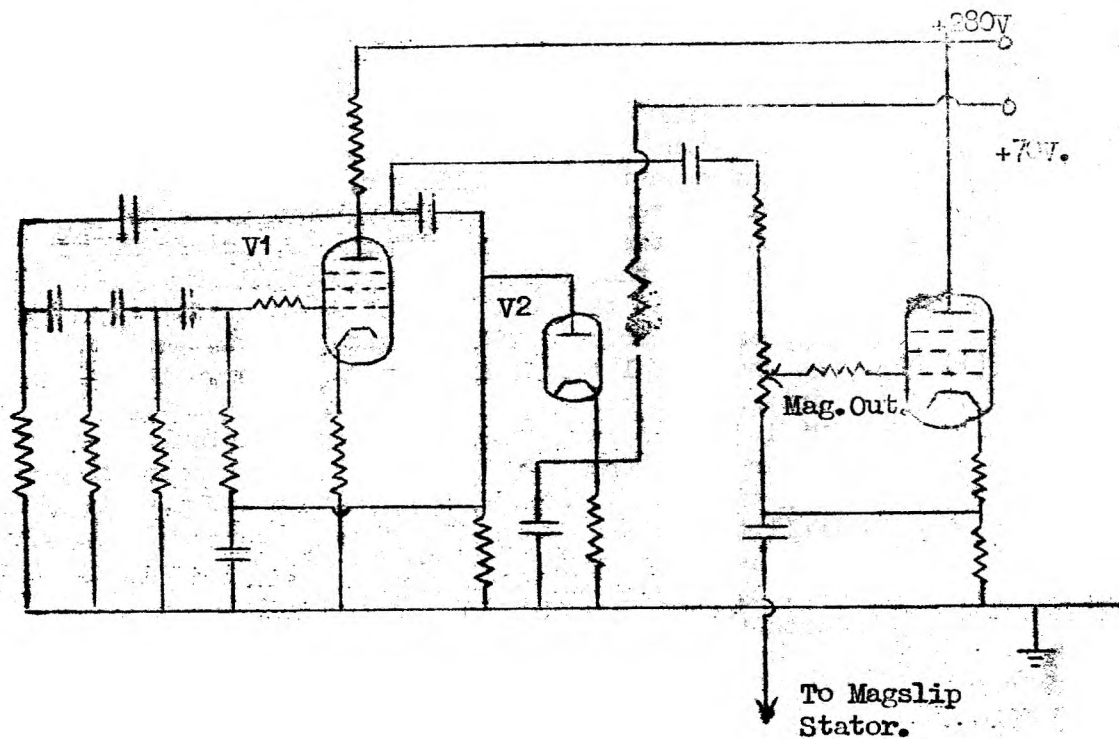
PURPOSE. To produce a miller time-base waveform, whose velocity varies as the angle of tilt of the Type 13 Aerial varies.

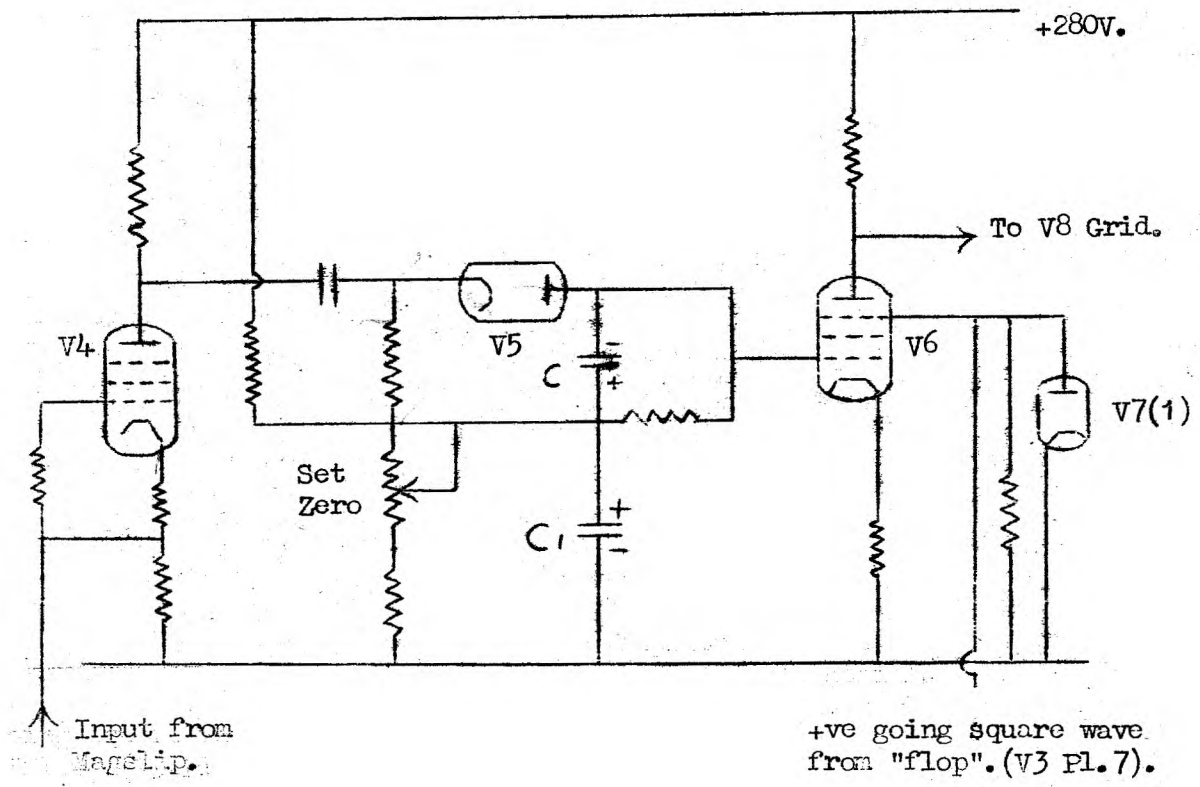
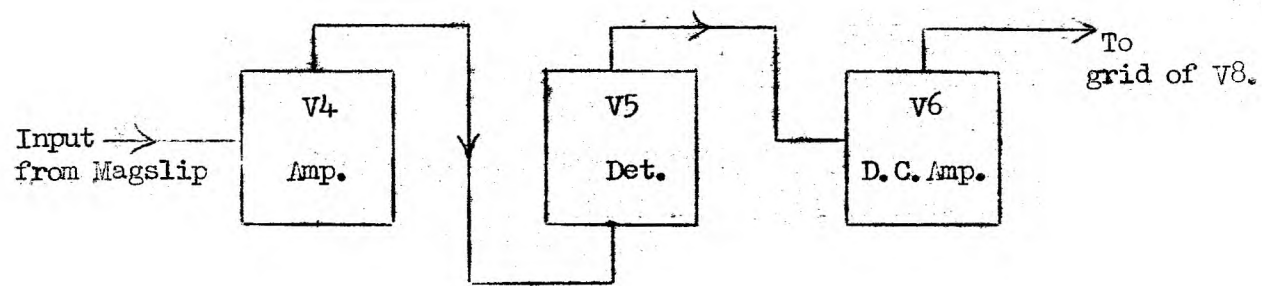
CIRCUITRY. V1, V2 & V3.

V1. R.C.C. Oscillator. This valve produces a sine wave output at a fixed frequency of 3 Kc/s. The amplitude of oscillation is kept constant by the action of :-

V2. Amplitude Regulating Diode. This valve controls the amplitude of oscillation in the same way as its counterpart in PL 26. The output from V1 is applied to V3 via the MAG OUT control. V3 is a cathode follower, which matches into the co-axial cable feeding the sine wave to the stator of a magslip, mounted on the Type 13 Aerial.

The MAG OUT control decides the amplitude of the oscillations fed into the magslip.





The voltage induced in the magslip rotor varies in amplitude, as the angle through which the aerial is tilting varies. It is arranged that maximum coupling between stator and rotor occurs when the aerial is at its greatest angle of tilt.

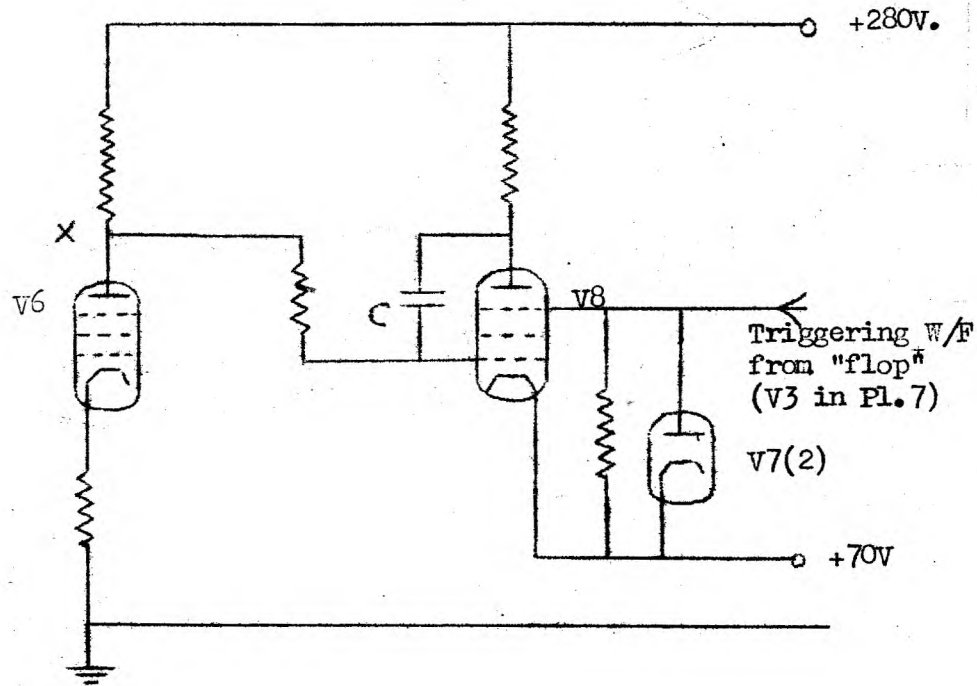
The rotor output is applied to and amplified by V4. Output from V4 is applied across the diode V5, which rectifies it. The rectified output charges the condenser C, the mean D.C. voltage appearing across the condenser being directly proportional to the amplitude of the sine wave output from V4. (Which in turn depends upon the angle at which the aerial is tilted).

NOTE. To avoid working over the non-linear portion of the diode characteristic, the magslip rotor is offset, to turn from +5 to +31 degrees, as the aerial tilts between -1 and +25 degrees.

The D.C. voltage developed across C, is applied as bias to the grid of the D.C. amplifier (Miller Control valve) V6. With the aerial at -1 degrees there should be no output from the magslip rotor, but due to the offset there is, with a resultant voltage appearing across C.

To cancel the effect of this, a +ve potential is applied to V6G via the "SET ZERO" control. This should be adjusted so that when the aerial is at -1 degrees, the voltage appearing across C1, is exactly equal to that across C.

As the aerial tilts, the voltage across C increases, driving the grid of V6 negative. Consequently V6A rises. V6 is cut on and off by applying negatively restored square wave from V3 (flop), to its suppressor. When cut off V6A will be at H.T., and when cut on its potential will fall to a value decided by the bias on V6G (i.e. voltage across C). Thus the W/F at V6A will be a series of square waves, whose amplitude varies sinusoidally, in sympathy with the position of the aerial.



CIRCUIT ACTION. V6 and V8 are triggered simultaneously by waveform from "flop" (V3 in Pl. 7). Triggering waveform is negatively restored by V7.

On triggering V8 conducts and its anode potential falls taking V8G down with it. The miller condenser commences to charge, its aiming potential being the potential of V6A.

V6 was triggered at the same instant as V8, and its anode potential fell to a value decided by the bias on its grid, the bias at V6G has been shown to vary as the angle to which the T.13 Aerial tilts.

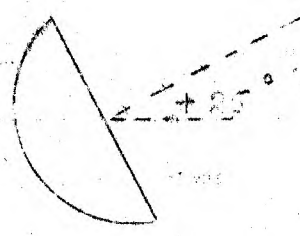
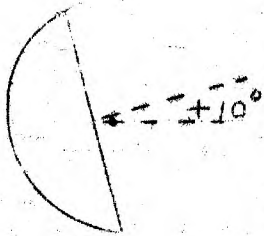
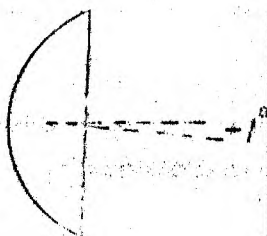
Thus the aiming potential of the miller condenser (VELOCITY), is varied in sympathy with the angle at which the T.13 Aerial is tilted.

Consequently the output from V8 is a miller waveform, varying in velocity.

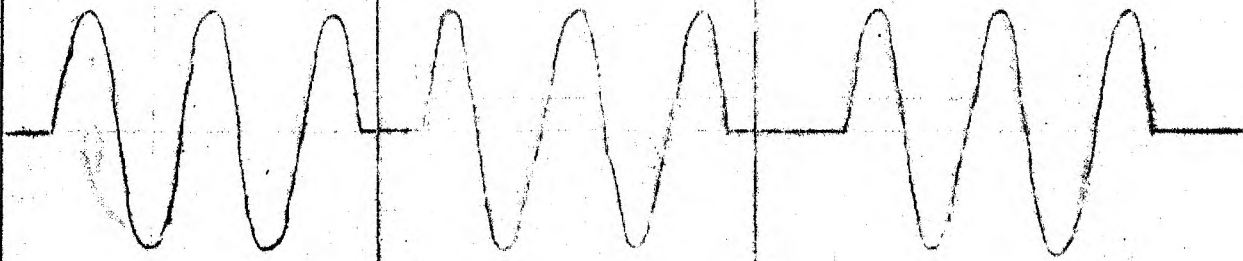
This is amplified in Pl. 8 and applied to the C.R.T. Y plates

PANEL 9 V1 - V8 WAVEFORMS

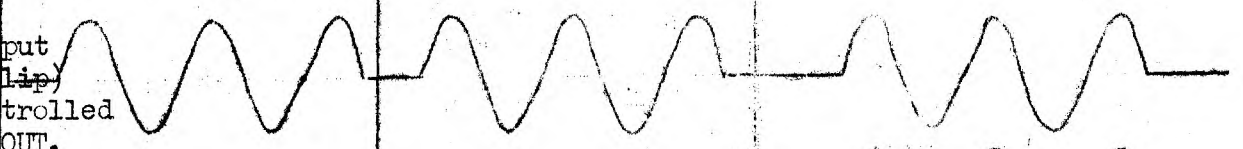
Angle of T.13 Aerial.



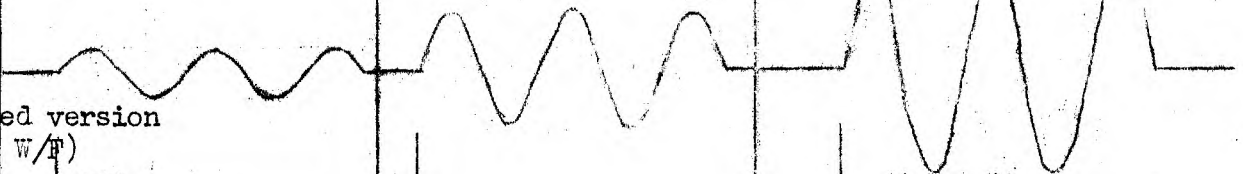
V1A.



V3K (Input to Magslip) Amp. controlled by MAG OUT.



V4G. (V4A is amplified version of same W/F)



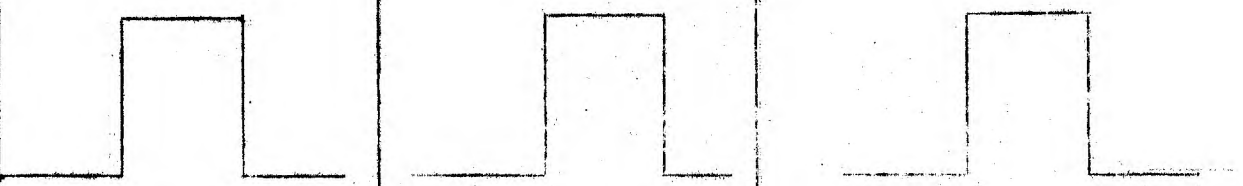
Bias level of V6G

+ve

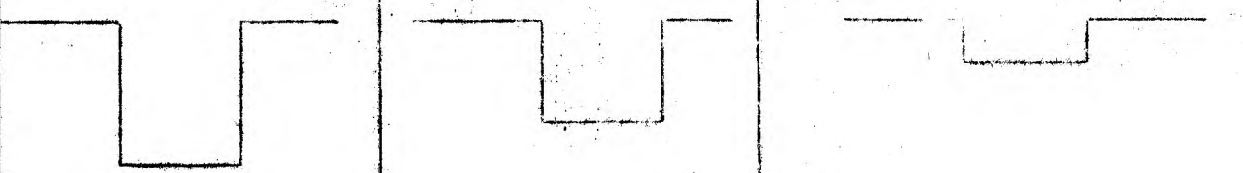
-ve



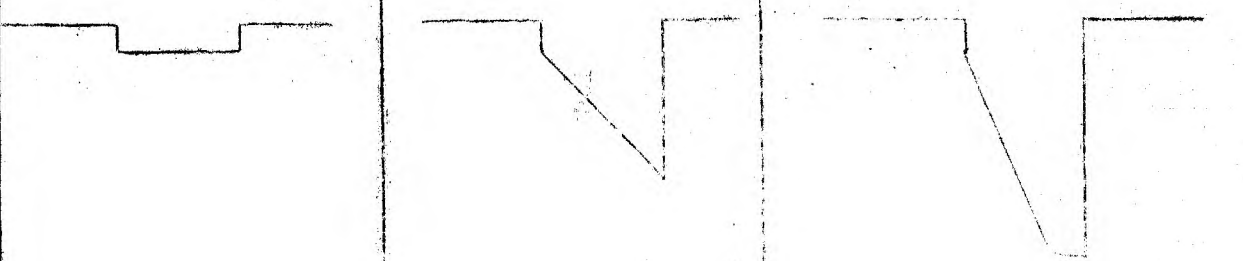
V6 Supp



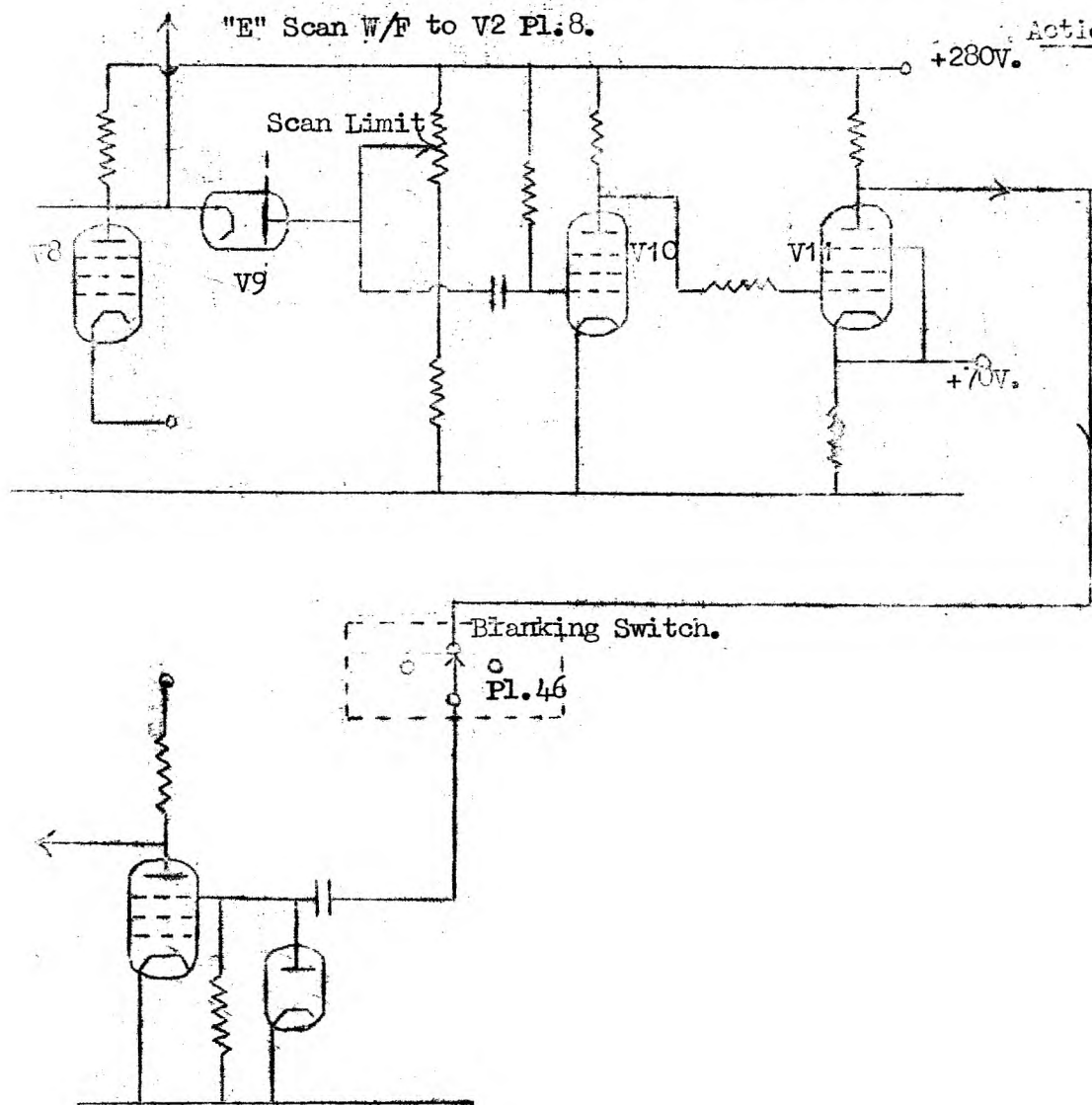
V6A



V8A



ELEVATION SCAN PANEL 9



PURPOSE To blank out unrequired portion of "height" display

Action V9 - Scan Limit Diode.

Output from V8 is fed to the cathode of a diode V9. The anode of V9 is held at a potential lower than H.T., potential being decided by the setting of a potentiometer, the Scan Limit control.

During quiescent period of the time-base, V9 is non-conducting, (cathode is +ve with respect to anode). When V8 is cut on and commences to "miller", its anode falls, carrying the cathode of V9 down with it. At the instant that the cathode of V9 falls below the anode potential, V9 conducts, and will continue to conduct until V8 is once more cut off.

The waveform produced at V9 anode is a rough form of square wave.

Output from V9 anode is applied to grid of a "shaper" valve V10, which produces a +ve going square pulse at its anode.

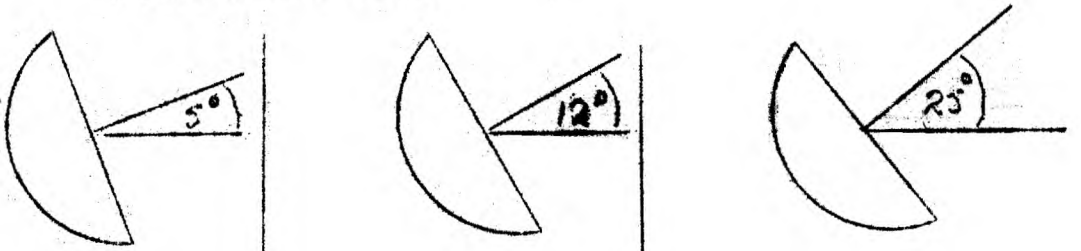
This receives further shaping and inversion through the succeeding stage V11.

The -ve going square wave produced at V11 anode, is applied to the suppressor of V5 (Brightness valve) in Pl. 7, via the BLANKING SWITCH on Pl. 46.

This cuts V5 off, thereby eliminating the "bright up" pulse which it was producing at its anode.

Pl.9 BLANKING WAVEFORMS showing
EFFECT ON Pl.7 WAVEFORM

Angle of
T.13 Aerial



Pl.9.
V8A &
V9K

V9 Cut on.
Controlled by
"SCAN LIMIT".

Pl.9
V9A &
V10G

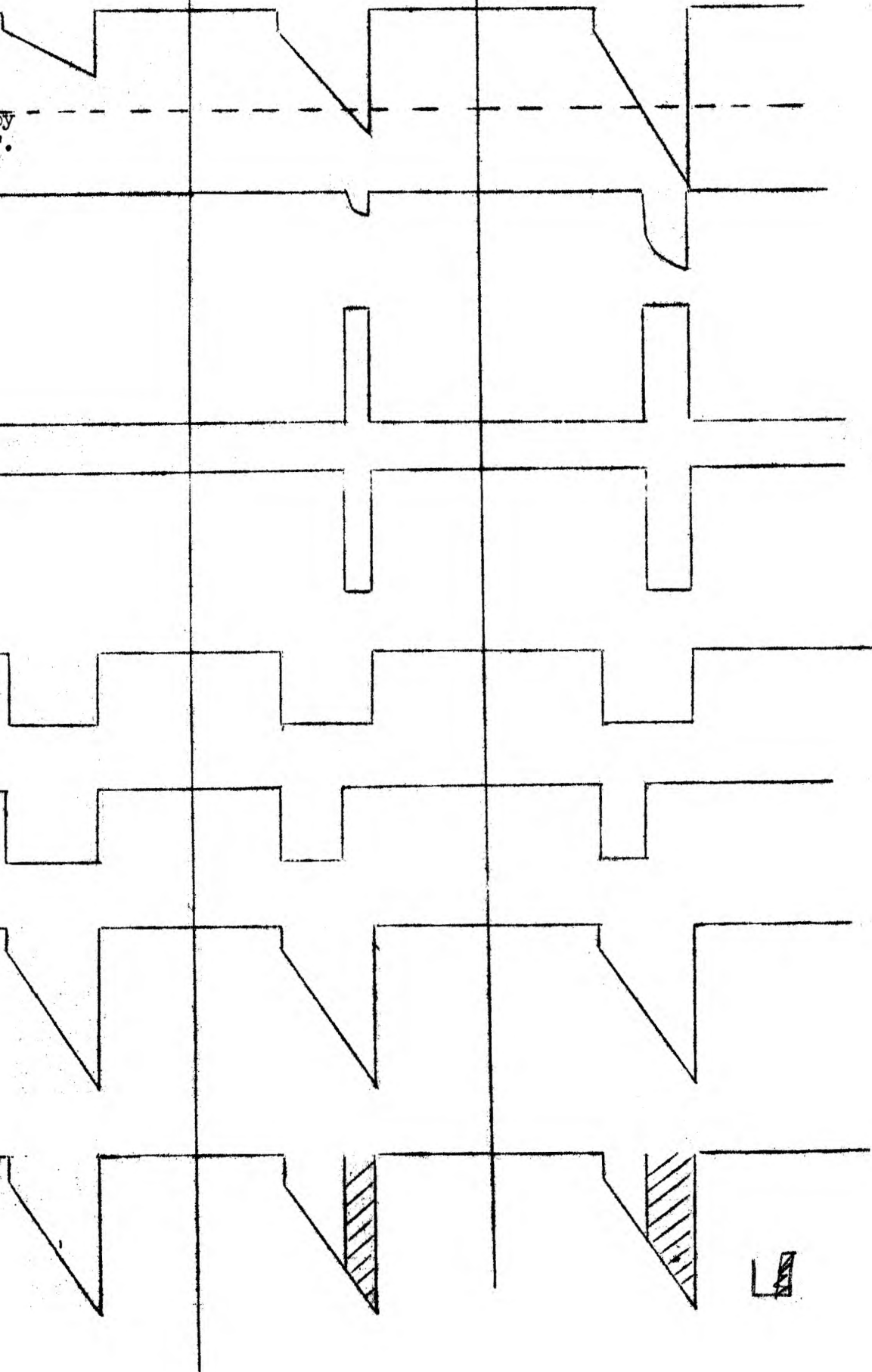
Pl.9
V10A
Pl.9.
V11A
Pl.7
V5 Supp.

Pl.7
V5A without
"Blanking".

Pl.7
V5A
with "Blank
ing".

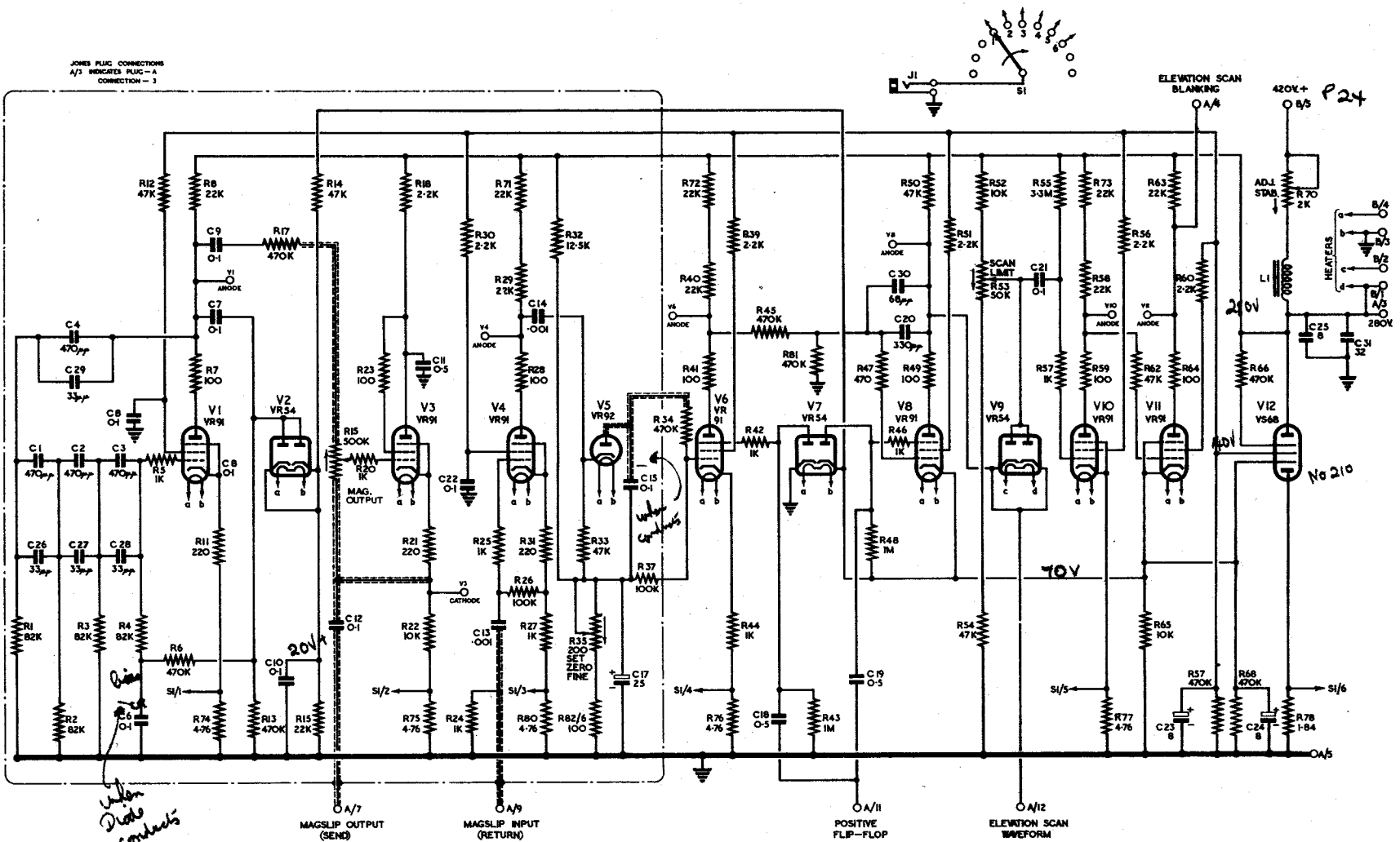
Pl.7
V9A.

Time-base
visible on
C.R.T.



4

JONES PLUG CONNECTIONS
A/7 INDICATES PLUG - A
CONNECTION - 3



DISPLAY UNIT TYPE 5

Scanning Unit Type 14

FOR FURTHER INFORMATION
SEE A.P.287/A

RESTRICTED AIR DIAGRAM
PREPARED BY THE
MINISTRY OF SUPPLY
FOR PROMULGATION BY
AIR MINISTRY

4370/MIN
ISSUE 1 12 SHEETS - SHEETS 1440, 1441

AL No.	
DATE	
REVISED	

SETTING UP PROCEDURE - CONSOLE 15.

"Y" SCAN (RANGE).

1. Check position of the "links".
2. Switch on Console and allow to "warm up".
3. Place "sync" switch on Pl. 46 to L. P. O. position, and the "blanking" switch to OFF.
4. Monitor stabilovolts in Pl. 24 & Pl. 9, and adjust for a current of 20 mA.
5. Switch on CAL, and adjust SYNC control on Pl. 7 for a stable trace on both ranges.
Adjust FOCUS & STIG controls.
6. Adjust BRIGHTNESS controls on Pl. 7 & Pl. 8 to eliminate "flyback".
7. Switch to Range 1, and adjust Range 1 control for 15 Cal. pips.
8. Adjust X Shift control so that the first Cal. pip coincides with the first marker on the range mask.
9. Adjust VELO 1 controls (Coarse & Fine), so that Cal. pips coincide with respective markers on Range mask.
10. Switch to Range 2, and adjust Range 2 control for 30 Cal. pips.
11. Adjust VELO 2 controls so that Cal. pips coincide with respective markers.
N.B. X Shift should not be adjusted for Range 2.
12. Re-check Stabilovolts.

"E" SCAN (HEIGHT).

1. Check position of the "links".
2. Turn MAG OUT control to minimum and SCAN LIMIT to Maximum. Adjust SET ZERO control to obtain a horizontal trace.
3. With "links" in the "E" scan position, set up Pl. 7 as for "Y" scan on ONE RANGE ONLY.
4. Switch on Aerial tilting motor.
5. Adjust MAG OUT & SET ZERO controls until trace tilts through the correct angle. Use MAG OUT control to adjust the trace for the maximum angle, and the SET ZERO control for horizontal trace.
6. Place BLANKING switch (Pl. 46) to "E" scan position, and adjust SCAN LIMIT control so that trace is "blacked out" above 40,000 ft.

SIGNAL CHAIN.

This is set up in a similar manner to chain in Console 16.

An alternative method of adjusting AMP LIMIT control (Pl. 3), is to adjust the control for a "Ground Ray" of 6 cas., when setting up on "Y" Scan.

Panel 45 Termination Board

Pyo Plugs

- P1 1/F in
- P2 +ve sync T.13.
- P4 +ve eye T.14.
- P5 -ve sync T.11.
- P6 magnet in
- P7 " Out
- P8 calibrator out



Jones Plug 'A'

- A1 } Regulates mains
- A2 }
- A7 } Unregulated mains
- A8 }
- A9 } 50V
- A10 } Azimuth Indication.



Panel 46

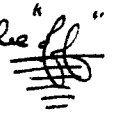
Sync. Switch as for panel 47 Additional compensating resistor on panel 46 drops 200V from panel 26 thus compensating for the fact that this power unit does not now provide focus and shift [as in console 16]

Blanking Switch

Function selects one of two blanking sources.

- 1) Selects external blanking.
- 2) The elevation scan waveform from panel 9 is the blanking waveform which blacks out the unwanted portion of the trace on the C.R.T.
- 3) Off position - switch off incoming blanking.

* Unless on E scan blanking should be "off" and vice versa

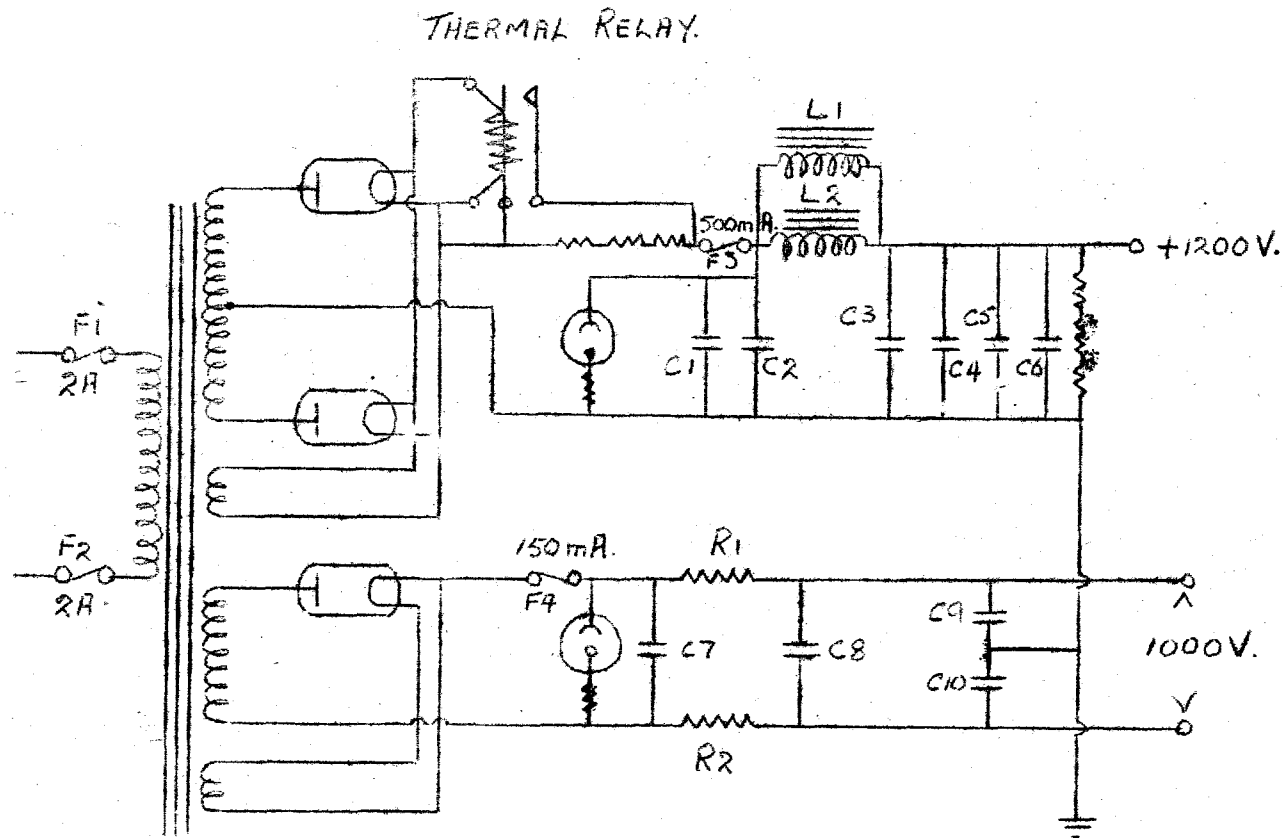


POWER UNIT PANEL 23.

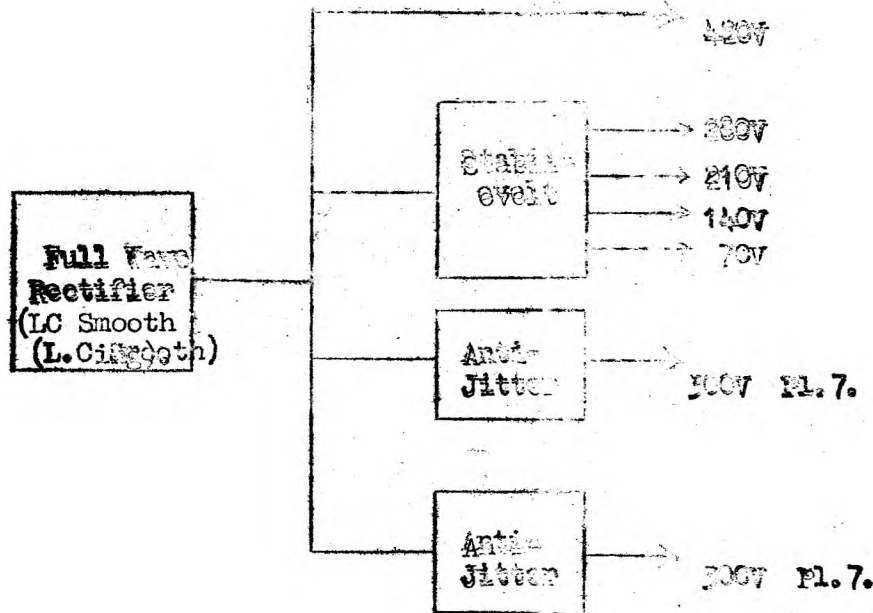
INPUT. 230V 50 c/s. Fused by F1 & F2.
Transformer has two secondary windings.

OUTPUT. From Secondary 1 is 1200 0 1200V.
This is applied to two half wave rectifiers (CV54), connected as a full wave rectifier. Output from the rectifier is LC smoothed by L1, L2, C1 to C6. The 1200V D.C. output is fed to :-
Pl. 7 V9 & V10.
Pl. 8 V2 & V3

The output from Secondary 2, 1000V, is applied across a half wave rectifier. Output from the rectifier is R.C. smoothed. The output is 1000V floating and is fed to Pl. 8 to "X Shift" and "Stig" networks.



POWER UNIT PANEL 22.

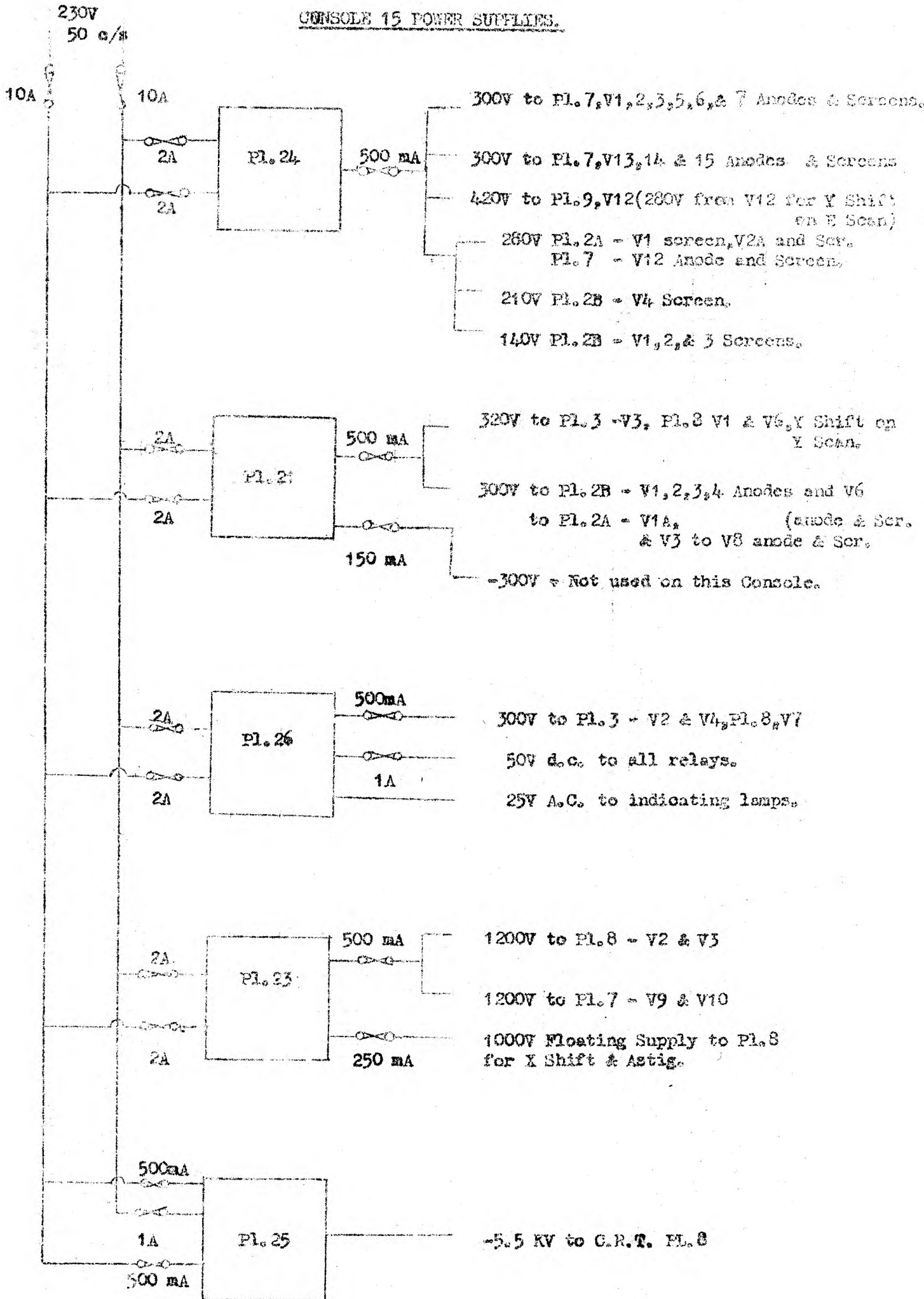


Pl. 24 consists of a conventional full wave rectifier, its output (420V-D.C.) being fed out through four circuits.

- Outputs.
1. 420V fed to Pl. 9.
 2. Fed across a Stabilovolt.
Outputs taken from stabilovolt as follows :-
280V to V12 in Pl. 7.
to V1 & V2 in Pl. 2A.
210V Screen supply to V4 in Pl. 2R.
140V " " " V1, V2 & V3 in Pl. 2B.
 3. Applied via an anti-jitter cct. to Pl. 7 and supplies 300V to V1, 2, 3, 4, 5, 6, 7. & screen supply of 110.
 4. Applied via an anti-jitter cct. to V13, 14 & 15 in Pl. 7.

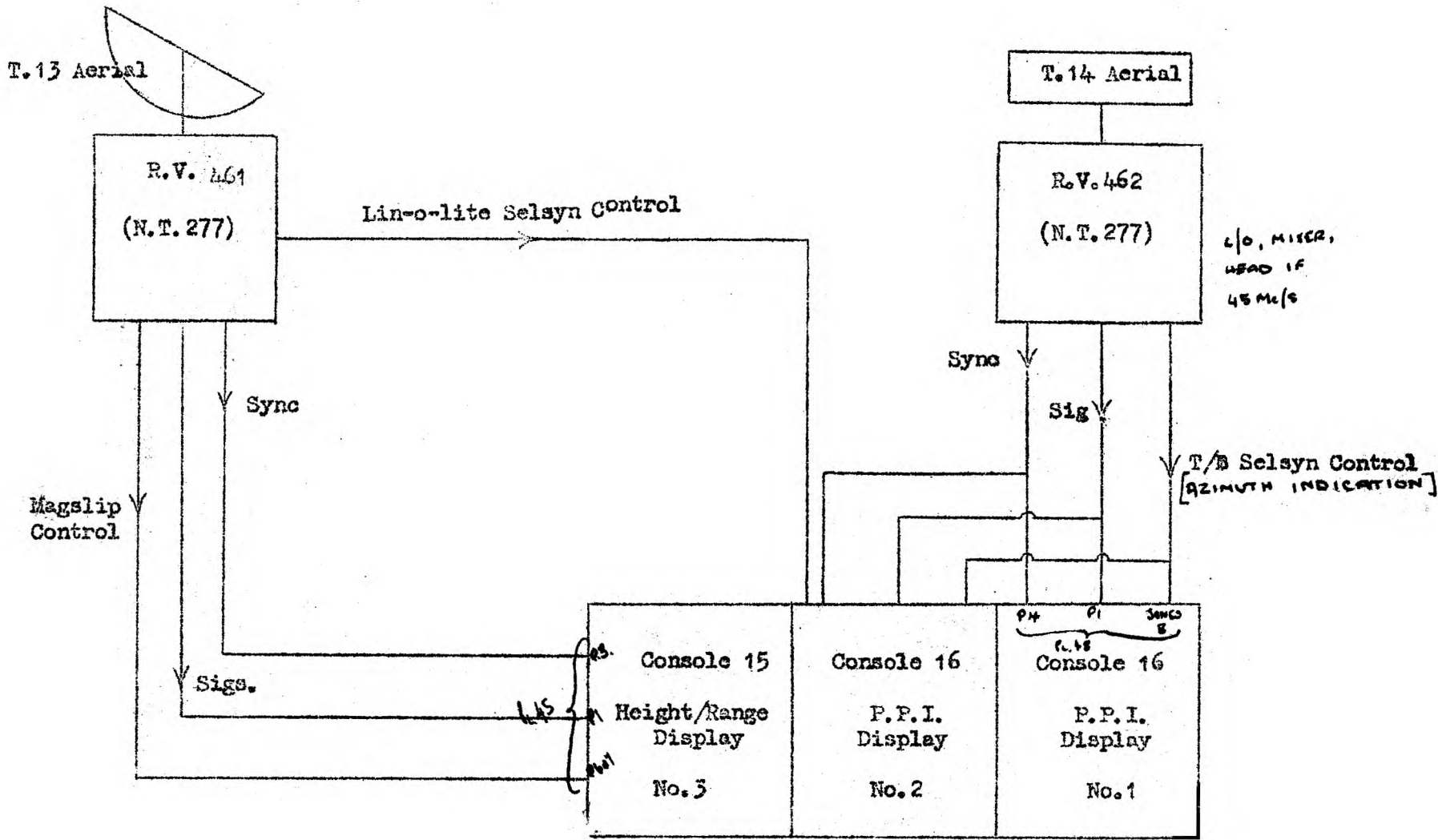
NOTE. The anti-jitter ccts. are identical to the one employed in Pl. 22 in C. 16.

CONSOLE 15 POWER SUPPLIES.



ALSO DIESEL
VEHICLES

APPLICATION OF D.U. 5. in TYPE 24 CONVOY.



L/O, MIXER,
HEAD IF
45 Mc/s

T/D Selsyn Control
[AZIMUTH INDICATION]

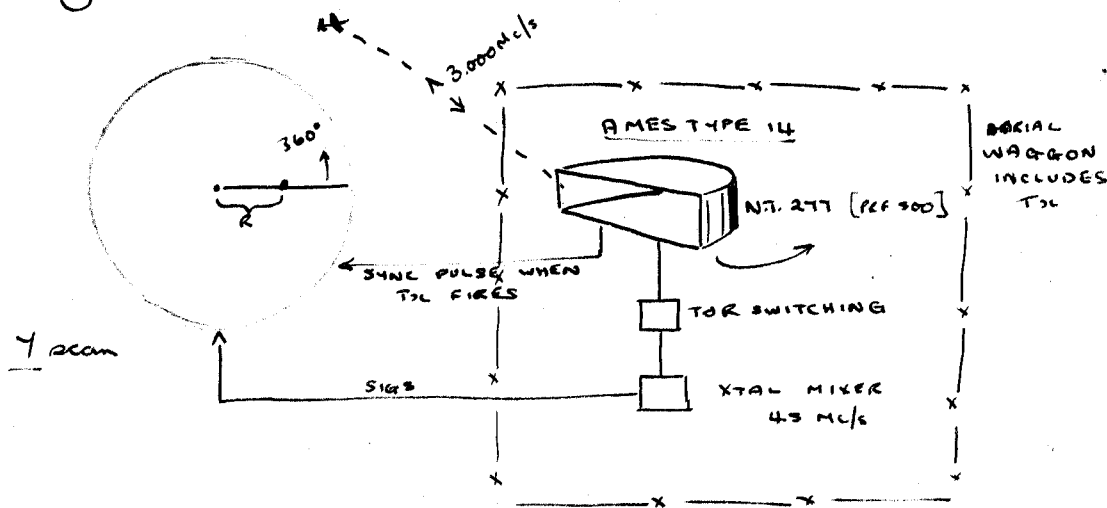
R.V. 467

OPERATORS
FRAMES FLOTE TO
FILTER ROOM

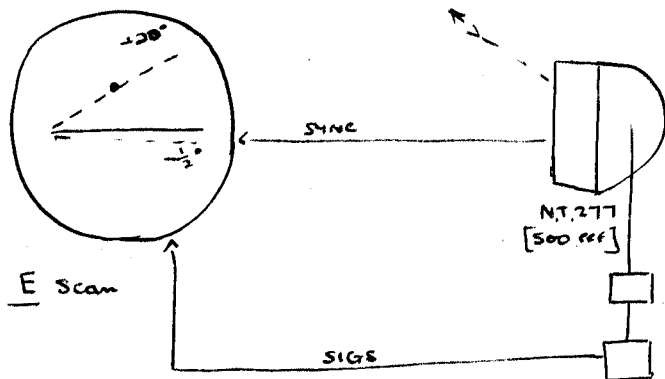
CONTROL
R/T WITH
A/C

FREEDLY

Display Cons T.16. [Page & bearing]



Display Cons T.15. [Height]



53
~~706~~ x 100
~~1500~~
 75
 75
 525
 75 (5300)
 5250
 080

AMES TYPE 13

B/U at due N.

At a pre determined position of T14 aerial radar in screen of B/U value is plotted. This at due north trace brightens allowing relays to be lined up.

line of light on T16 gives T15 operator chance to point aerial in direction of aircraft. 20° indicator light also.

Cal pits may be displayed on both traces

Console T. 16.

SEE BLOCK DIAGRAM

Signs fed in on coaxial cable at f of 45 Mc/s. Normally signs have nothing to do with 2A, an interference panel. Instead they are fed to panel 2B the main IF strip [5 in number bandwidth 4 Mc/s staggered tuning and damping]. Then to a diode detector to video stage. ~~Panel 2B~~ Panel 2B. From thence to grid of CRT. Switch for sign or cal. NBW panel (2A) works on a narrow bandwidth 2 Mc/s in the event of interference; it may be switched in and out by switch in front. To get narrow bandwidth the IF is reduced to 20 Mc/s.

Panel 3 is the most important one it generates T/B, B/U and cal, B/U to cathode T/B applied to coils L, cal on grid of CRT. Panel 3 must be synchronized from PANEL 4T with switch. Gives P. 4T. various sync pulses. The four position switch selects each sync. If 12 not used a local sync maybe used from Panel 2b [see Osc. and square]. Trainer used in lab. Sync pulse goes into panel 3 and triggers f/f which triggers the remainder. Range control etc. on f/f. T/B coils rotate around tube by means of power type relay. The L-O-L relay shifts around the lamp and mirror indicating position of azimuth of aerial

Panel 6

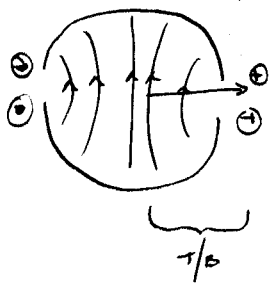
CRT. FOCUS SHIFT ETC.

3 valves in CRT unit are last stage of video stage amp and limiter. Cal will therefore also be amplified.

Electromagnetic tube VCR 140. E.H.T. 5.5KV from panel 2S fed to grid. Cathode slightly below (variable by bias control). Sign or cal applied on to grid via two large blocking condensers, tops met at ends of CRT. B/U waveform applied to cathode LT. Signs going to grid are positively rectified to -5.5KV B/U waveform -ve rectified to -5.3KV Both rectifiers are one valve double diode VR54 Heater for diode and CRT for Panel 2S (prevents excessive insulation)

FOCUS Vary the current through the coil which varies the field in the supply from panel 2b when local sync pulse is developed

T/B A pedestal w/f applied to coil field setup. w/f from P. 5.



Left hand rule.

~~f/f~~ resistor prevents coils from ringing. Equidistant or final anode at each potential

SHIFT Obtained by two shift coils also around neck of tube

5cm in diameter and 1 cm in the other direction, reversible by changing plugs,

If γ shift is moved to each A's position will r to B therefore spot moves towards A. Similarly if γ shift is moved to 2.5V.

~~Supply from~~ B +ve to A [ratio]

Supply from panel 26. 300V It is really a bleeder across 300V, instead of coil varying w.r.t other.

Panel 5 see block Diagram.

See that sync. switch is in appropriate position assuming the plugs are connected.

111 -ve pulse.

NT277 +ve pulse

If -ve input to V_1 sync amp, a positive pulse is required as trigger f/f, it goes on grid. If goes +ve goes to cathode. Sync varies amplitude of triggering pulse adjusted until it just cuts flip on. Width of -ve flip pulse varied by CR in anode is range control S.M.R. coarse and fine control in each. +ve f/f feeds grid of V_2 giving at anode a positive w/f. This is fed via condenser and resistor to give a type of pedestal for even elimination

Brightness control in anode of V_2 varies brightness and amplitude of o/v pulse.

Strobe relay operates when aerial goes through pre determined position and increases gain of o/v valve as described. External blanking from commutator on D.T.H.

+ve f/f also triggers off the miller on its suppressor held low. Suddenly suppressor lifted from -80 - \bar{r} Anode falls and since it is connected to grid. It can only fall 5V

grid base of value. Due to condenser grid rises whilst anode falls. Then back rise.

Step diode, delays time at which grid falls thus a high pedestal can be obtained

It is then fed to inverter and finally c/f unit coils as load.

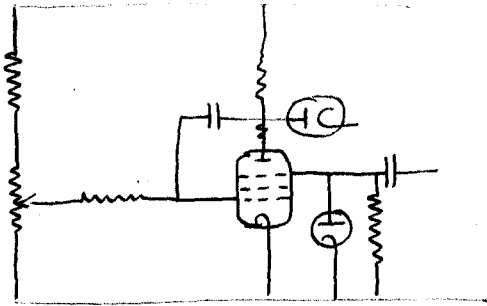
Linearity Ped w/f is +ve DCR to a voltage determined by LIN i.e.

it varies bias point on c/f. Supplied from panel 21 - 500V

Velocity varies with $1/B$ it is in grid of mela.

RAL

-ve waveform trigger CAL OSC. etc see digg.



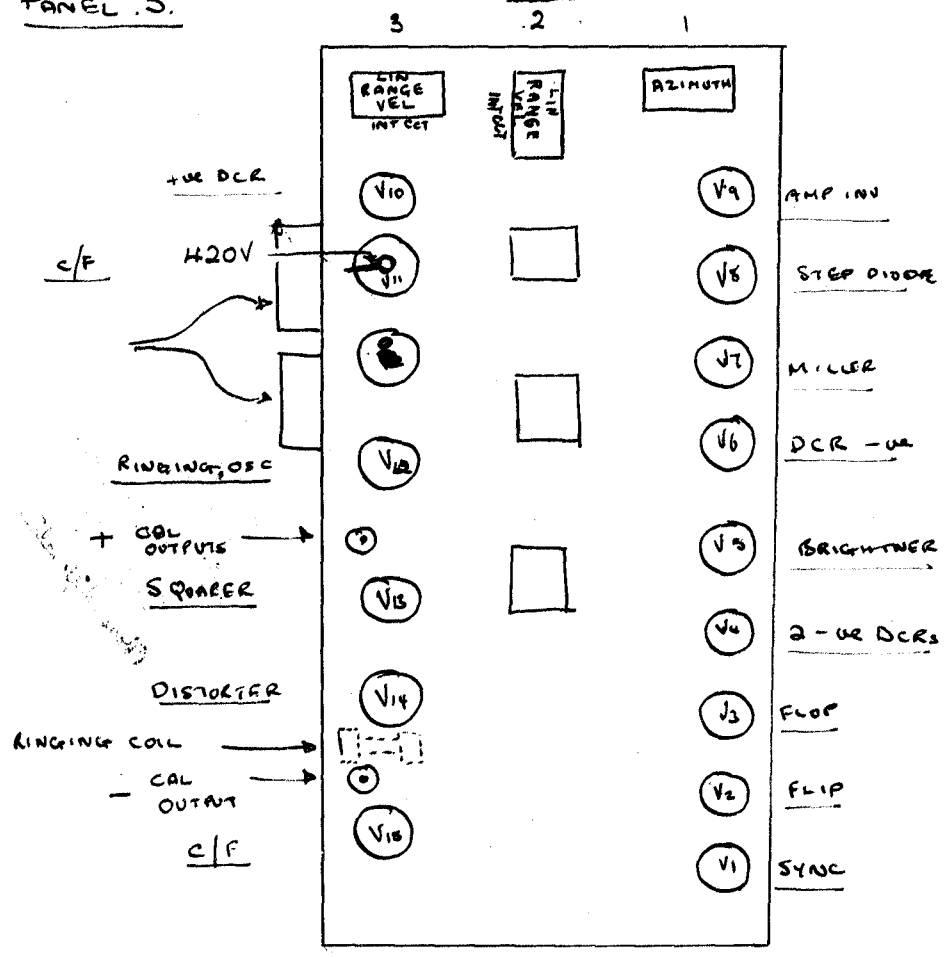
Brightness Def
 Slip Def
 Miller
 Linearity
 Cox etc
 Grid current
 Def
 DC's
 More slip etc
 78

[Handwritten flourish]

LAYOUT DUS

PANEL 5.

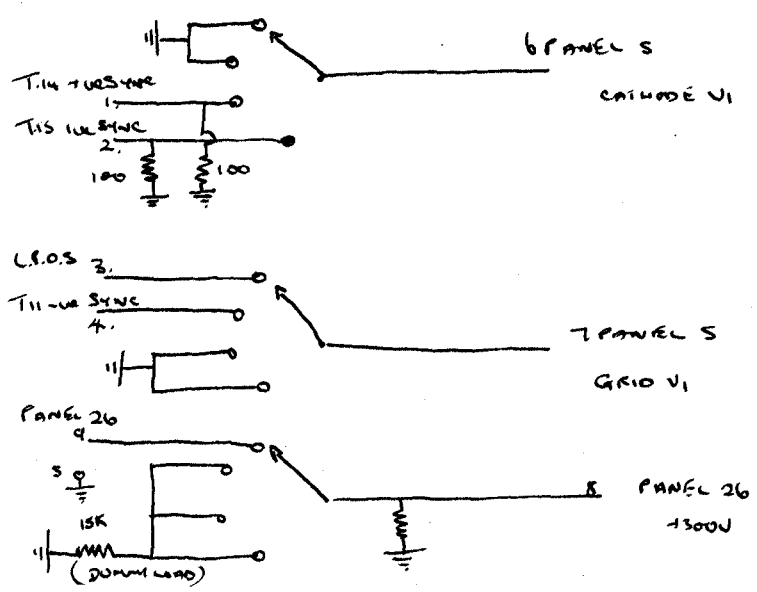
RELAYS



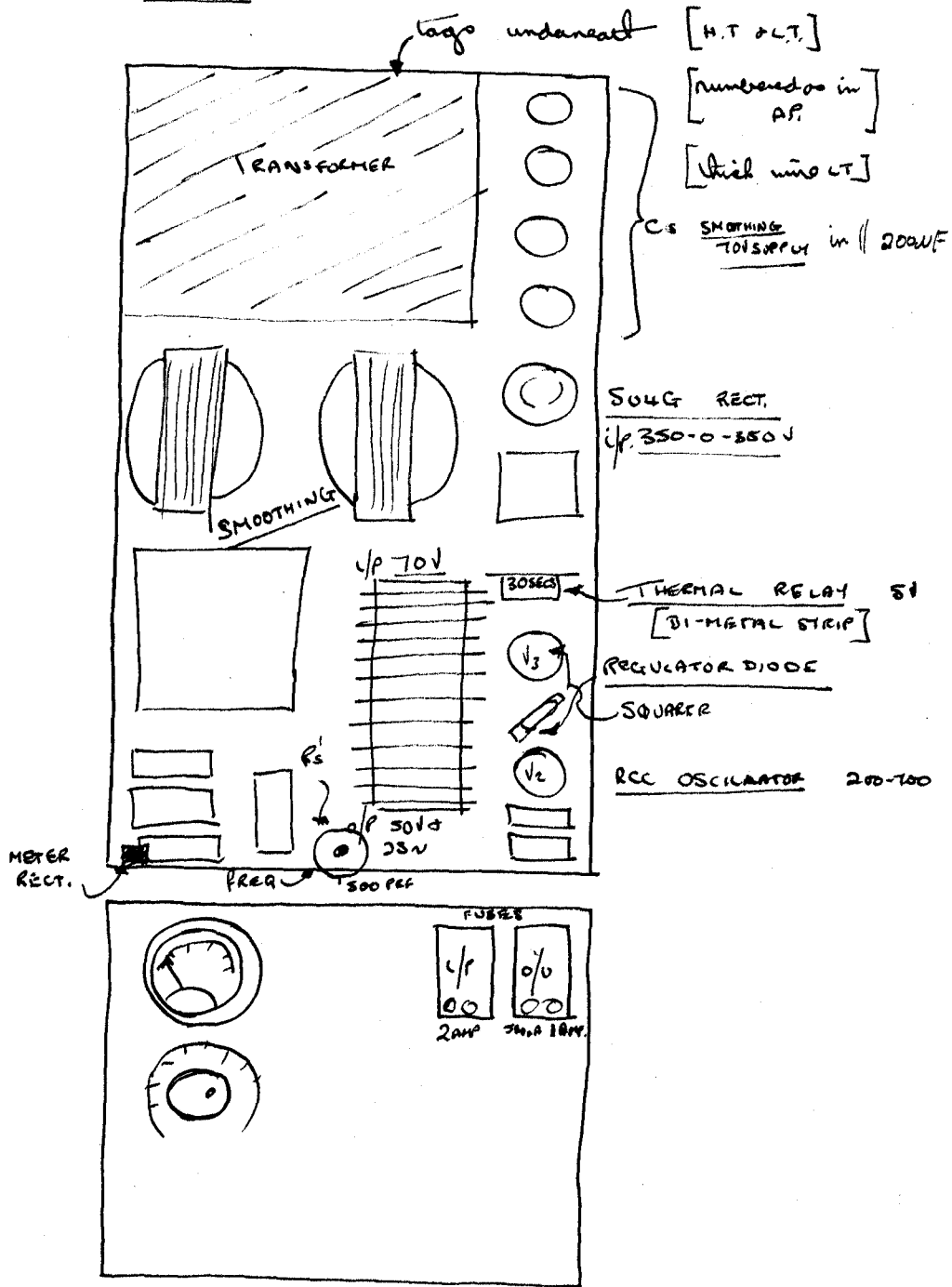
JONES PLUGS

- A' PLUG
 - ⊙ B' PLUG
- Also connection numbered

PANEL 24T

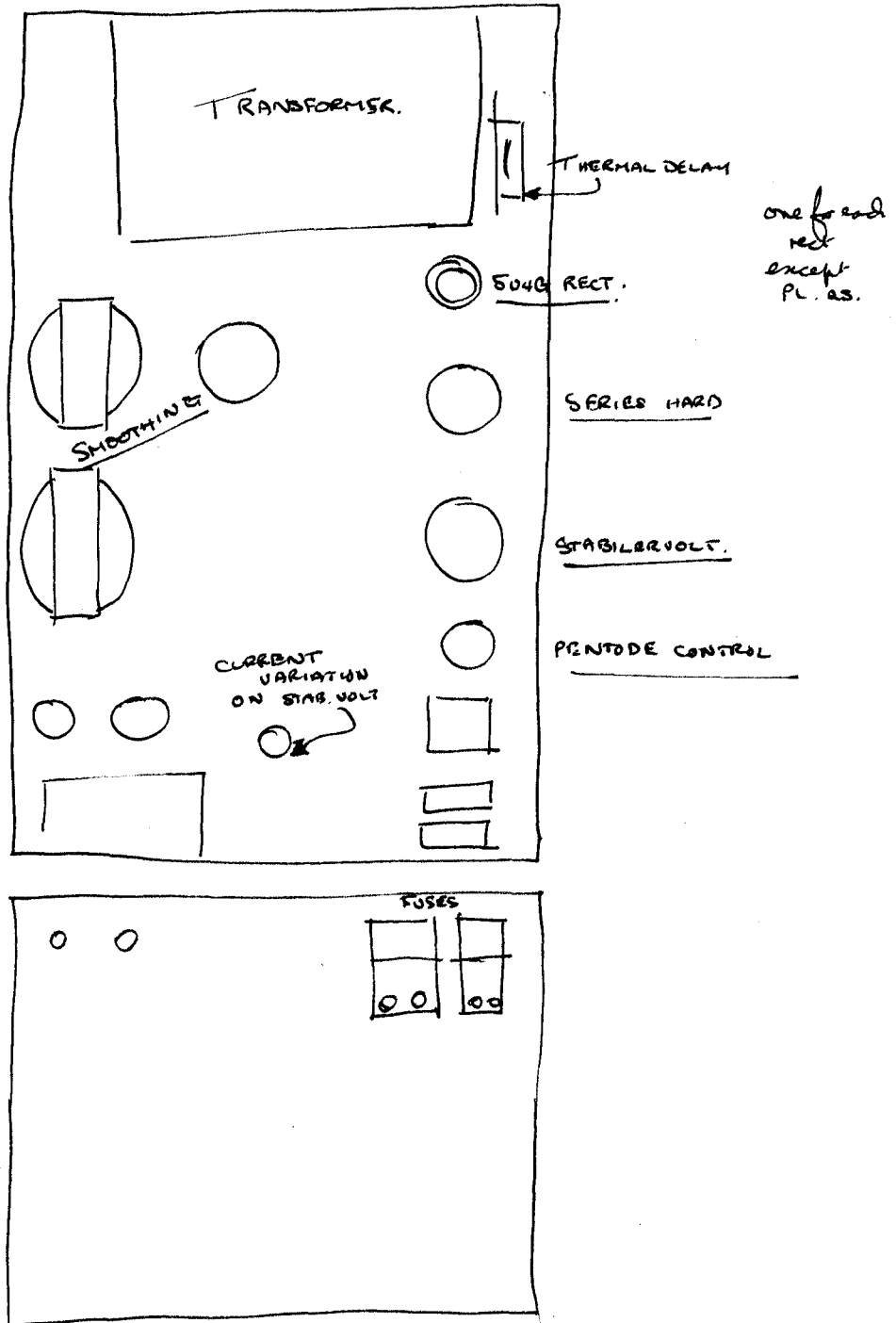


PV 26
LAYOUT



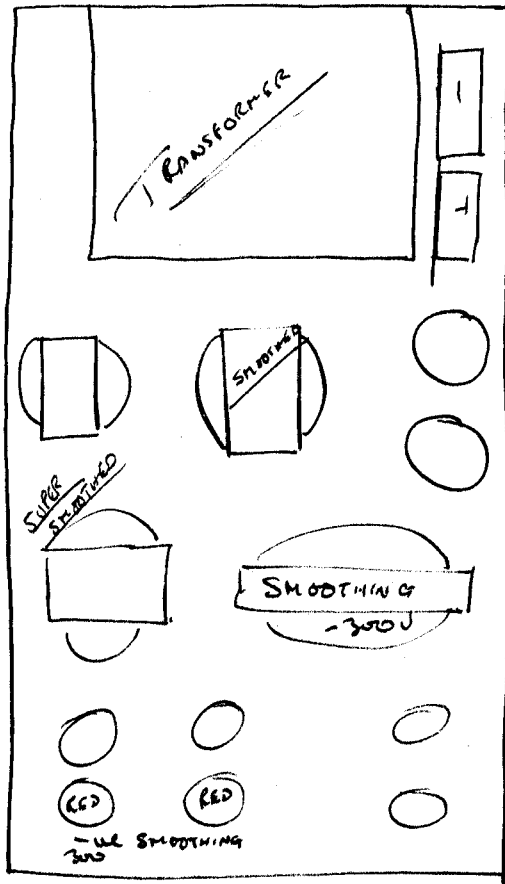
Pu 22

LAYOUT



PU 21

LAYOUT

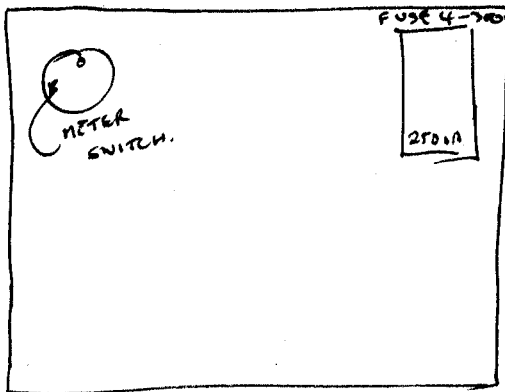


THERMAL DELAYS. 300V

5U4G RECT +300V
HEAVY CURRENT

RECT -300V SMALL CURRENT

VITRIOUS RESISTOR -300V

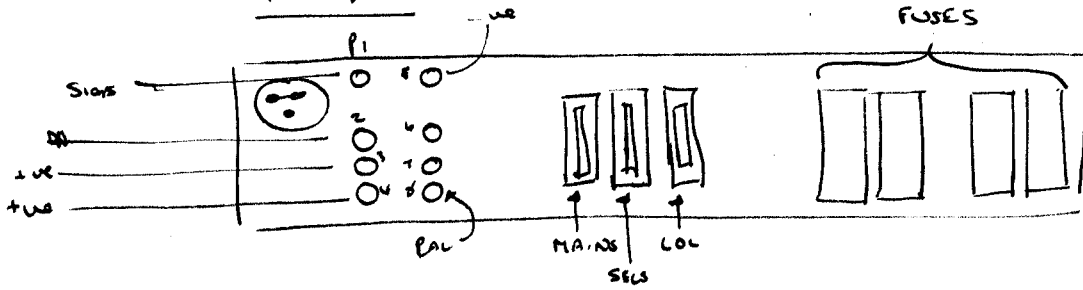


FUSE 4-700V

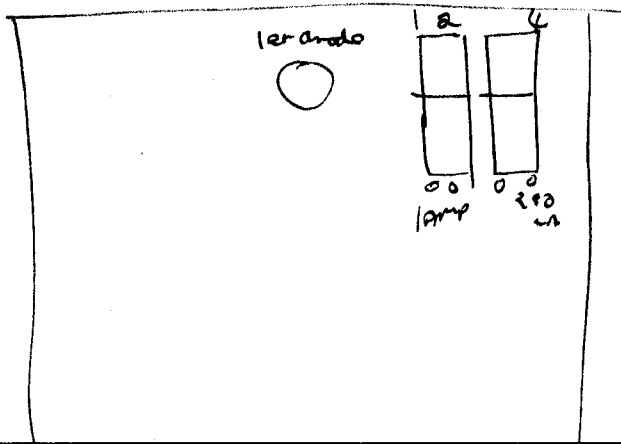
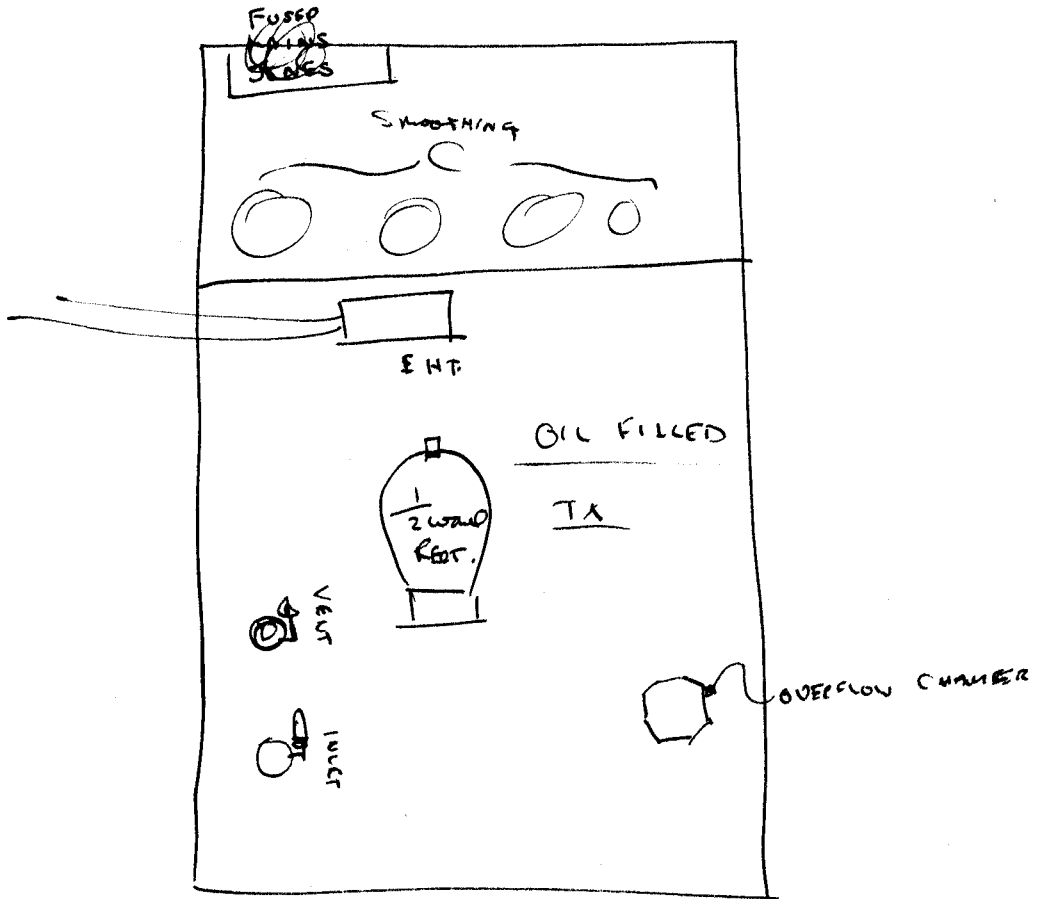
METER SWITCH

250mA

Pc. 48



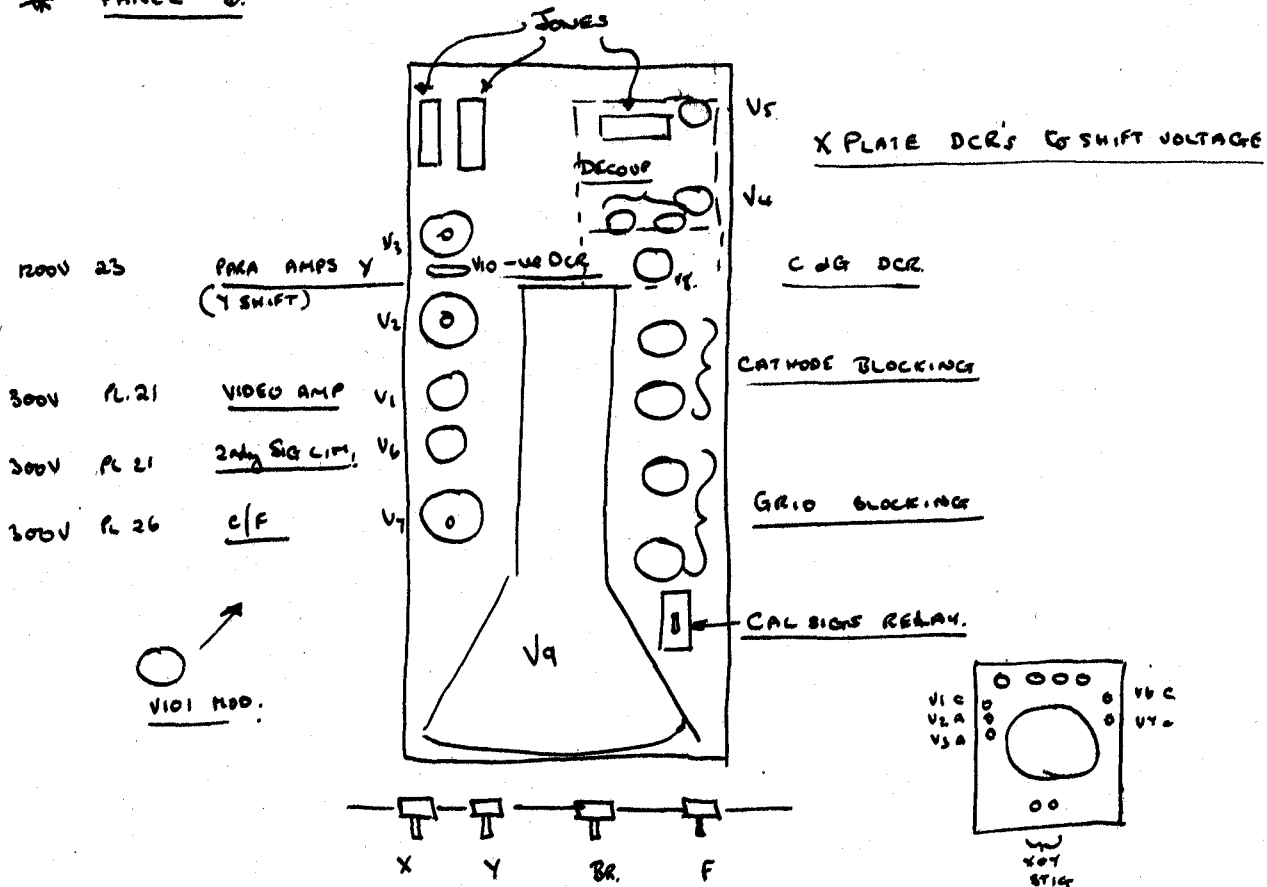
PANEL 25 LAYOUT



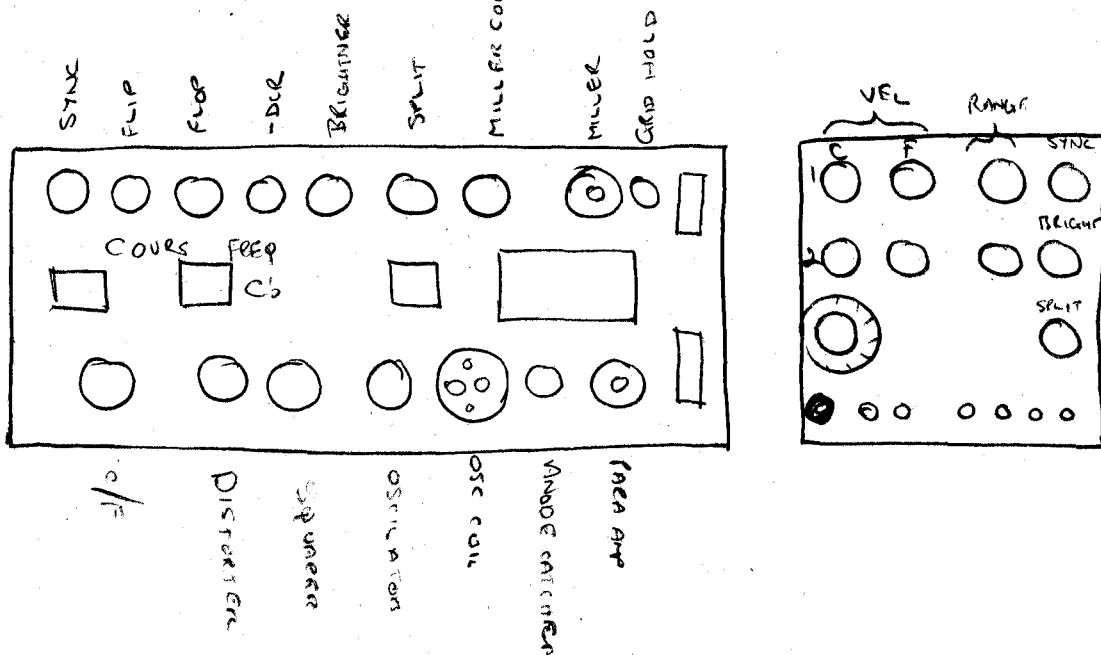
CONSOLE 15.

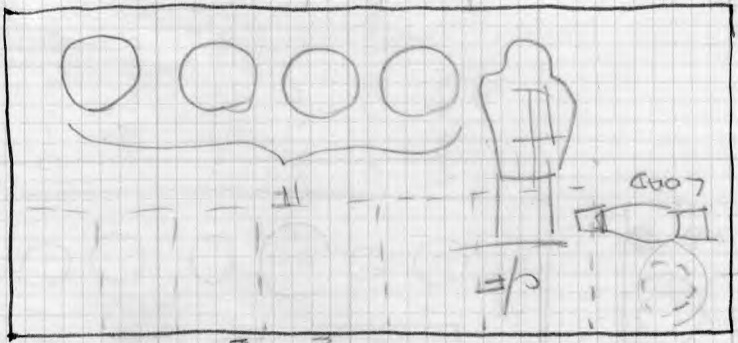
LAYOUT.

* PANEL 5.



* PANEL 7.



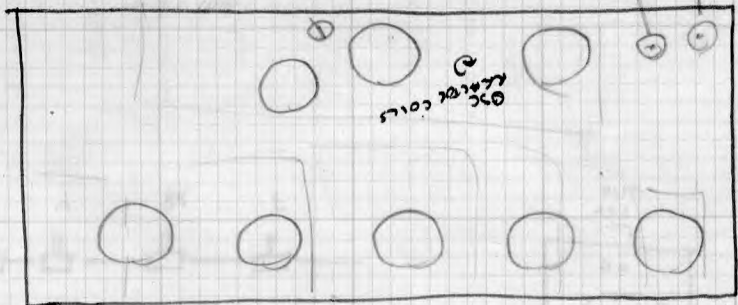


REACTOR
NEURON C
L/O

BUFFER

TO 2B

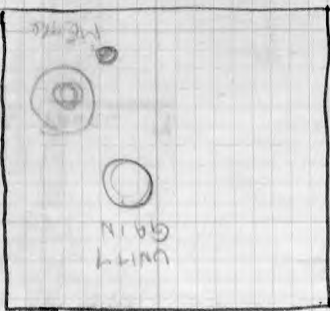
PL 2B
P/S



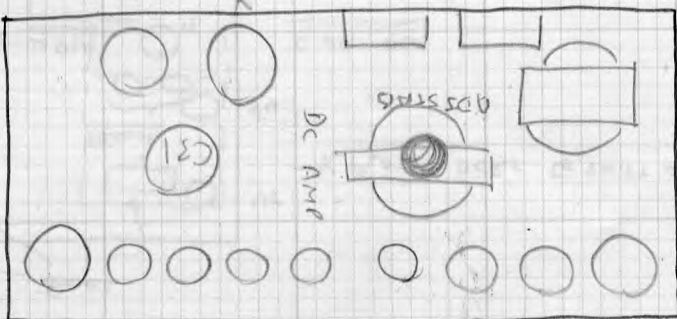
1st FC
IF
IF
A
IF
2nd FC

1st coils

PL 2A



GAIN
LIMIT



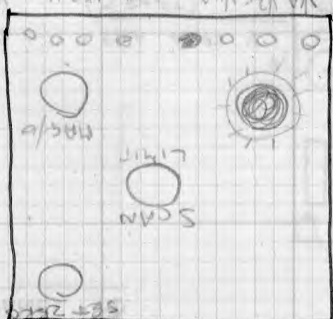
3k/5k
C/F
AMF KEG DIODE
AMF AC
D/C R
SCAN LIGHT MILLER
STAS

SONES

SONES

SONES

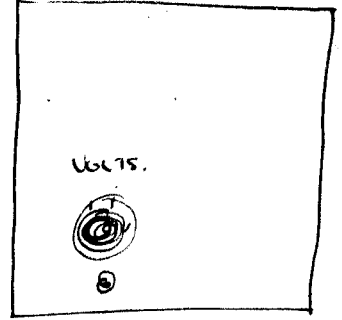
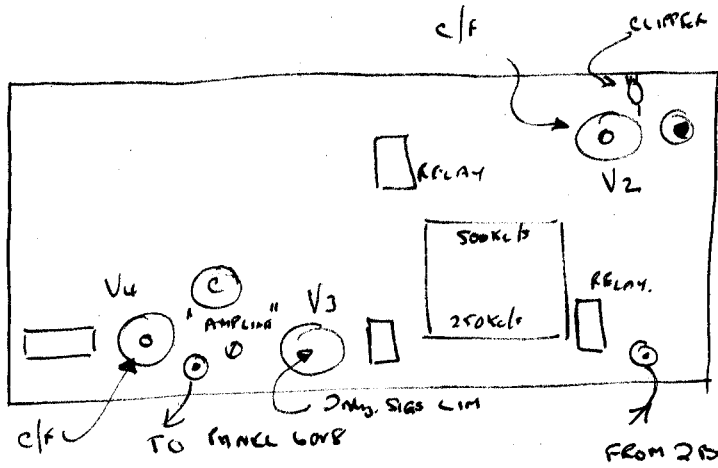
Panel 9



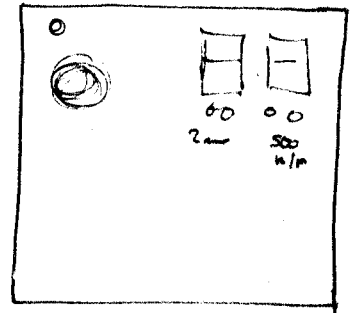
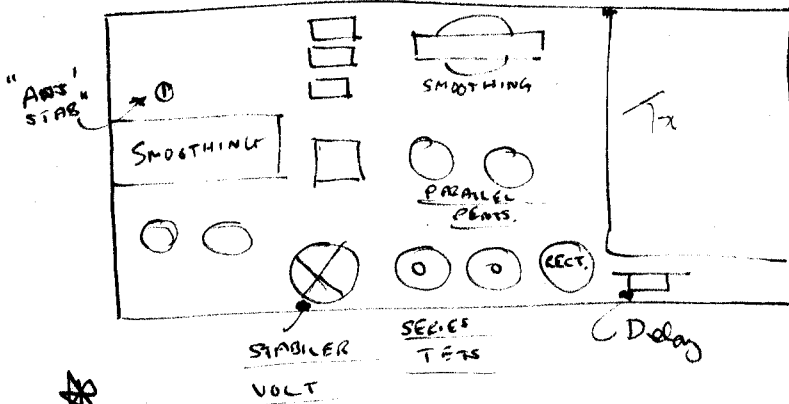
SCAN LIGHT
MAG/0
SET 200

VA 13C V1A

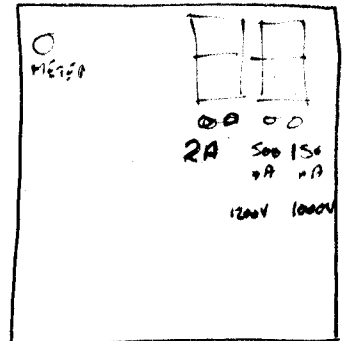
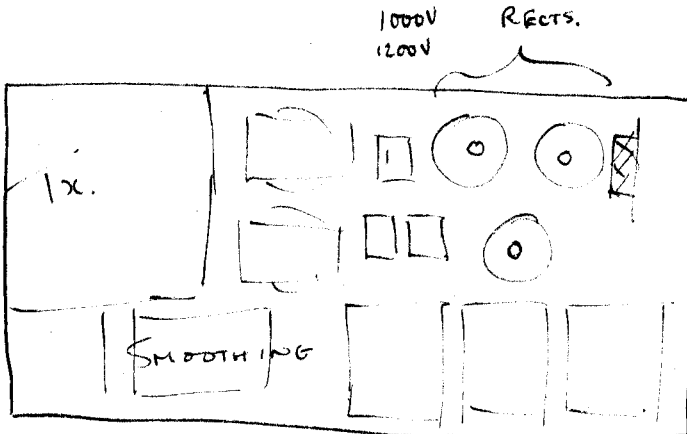
PL 3



PL 24 *



PL 28 *



PL	46
PL	45
PL	25
PL	21
PL	26
PL	41
PL	44

} See other notes

Faults caused by u/s valves.

PNL 26

V1 Rect, o/p 300V, LC smoothing, 504G.

Position 3. 62 of full scale deflection. Goes to L-P-O after 46 10 sync switch.

Takes H.T. off L-P-O and switches in compensating resistor

When u/s signals will be affected [cal possible] V₁ P. 8. No cal on E scan no eye on L-P-O.

V2 & V4 u/s since no 300V meter [C/F₀]

V2 Oscillator, 200-700 ~~Hz~~, 4 leg CR branches, fixed two variables, H.T. 300V panel 26 normally set 500 VR91

Position 8 note scope panel V2A When u/s - No L-P-O.

V3 Amplifier regulator diode to 55 volts

V4 Squarer VR91, grid stopper & cut off. scope V4 anode. Position 9 meter

goes via stat CR to grid of sync valve. When u/s no L-P-O.

No reading of main in if rect u/s

If no 300V out side of fuses unit neon across - thermal delay of rect itself

PNL 28

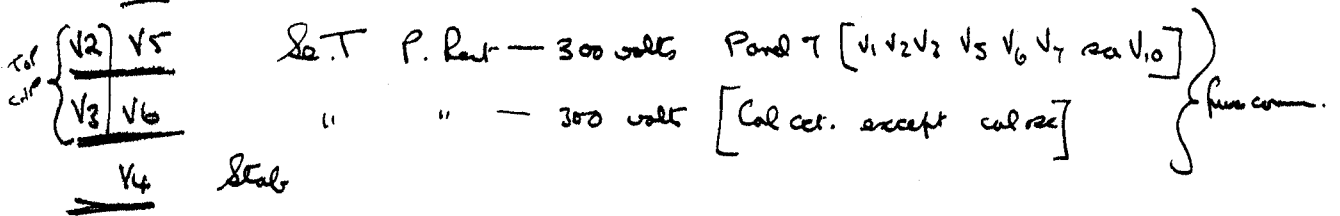
V1, V2 2 1/2 wave rects give 1200V connected up as full wave - big current LC

~~Distorted~~ (phase wrong) Distorted apart No T shift no T/B. u/s

V3 No 1,000 volts - no X shift RC smoothing. Half wave.

PNL 24

V1 Full wave rect. 420 volt



V₂ u/s - Spot since F/F not working. However, on experimenting not even a spot. There is only a means of blocking parallel pointers
If u/s removed, still reading but lower.

V₂ u/s - Trace but no cal - no meter reading
Any fuse will affect any o/p for panel 24

Stalibumet removed V₄ Output to cal 200V itself cal but no ~~sig~~ sig
and also is no 210 or 140V to screens.

Panel 25 1 wave rect 3 fuses on i/p 2 500's and 1 amp unit
4 trans Any fuses u/s no o/p. o/p 5.5KV Controls links change
over ratio of voltage. Focus and Brilliance. If no bell Jones plug not
fitting on properly also focus. No note point. c/s u/s nothing on the tubes

Panel 21 2 full wave recto. +300V & -300V [not used on 15]

V₁ 504G 300V CC smoothing
Two o/p A0 & A7 Connected with signal chain
Two input fuses and 500mA +300V fuse
250mA -300V fuse

Panel 7

V₁ :- sync valve gives +ve sync output to trigger ff
i/p L-P-0 diff. square wave grid
T₁₁ -ve " "
T₁₃ +ve } on cathode
T₁₄ +ve }

H.T. 300V sets Pnl. 24.

scope on grid if valve removed - no grid current \therefore diff. waveform.
also no cross waveform.

V₂ :- Fltp H.T. 200V Pnl. 24 (set ANTI JITTER)
scope put on cross also valve maybe retained.

V3 - Flap +ve output
H.T. 300 Volts from Panel 24



goes to Bright up valve and to Panel wire triggering off two valves

~~Flap~~ D.C. amp and miller. Fault on these wrecks flap waveform

V4 - DCR of V/S no cal but not always

(Blanking +

Cal i.e. ensures supp does not go alive earth and that valve cuts off (Cal osc)

L.T. Panel 24

V5 - Brightness valve triggered by pulses from flap on grid; blanking pulses goes to supp. (from V11 panel 9 via 500 pF) Brightness varies anode load of valve. Scope and meter. Supp straight line if Va not conducting. If V/S flyback can be seen.

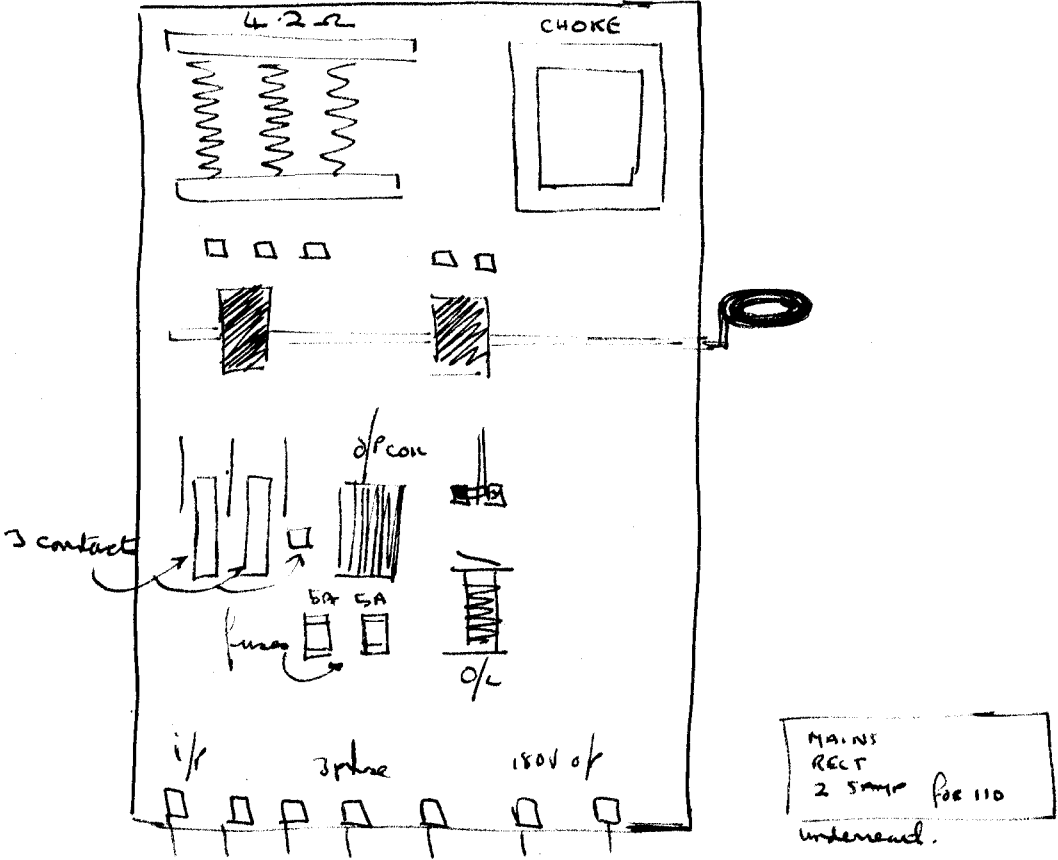
V6 - Split anode connected to ~~osc~~^{screen} of Miller. Square wave of $\frac{1}{2}$ p.p.A which cuts

TR 3561

LAYOUT

STARTER

wallage disassembled



TRIGGER UNIT

(two left) DOOR SWITCHES & FUSES

